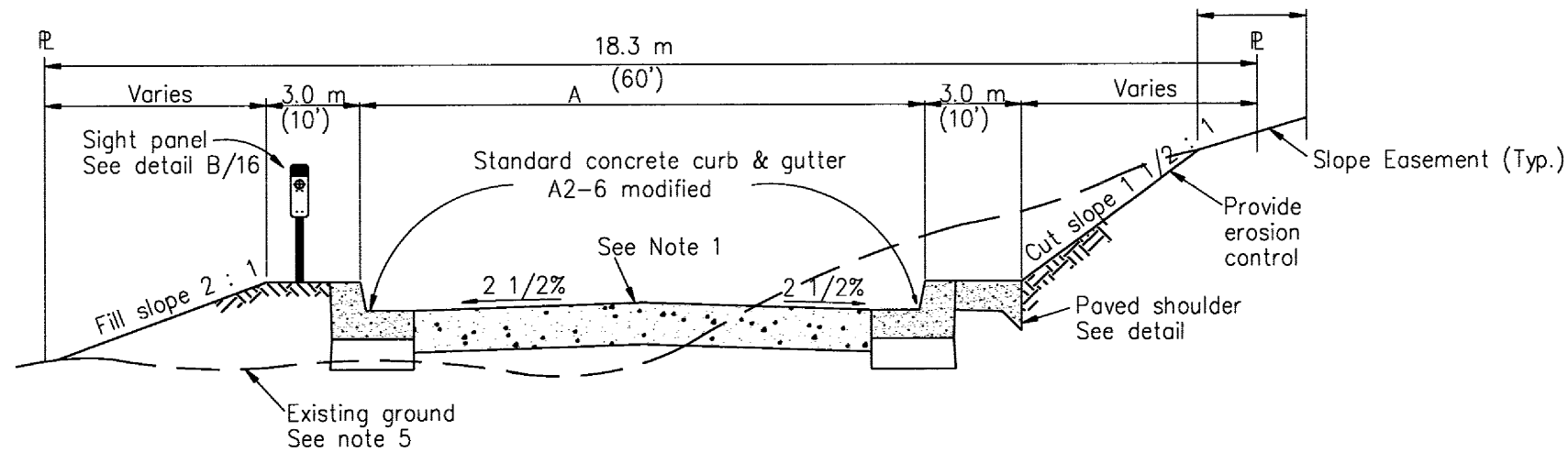


DETAIL OF AC PAVED SHOULDER AND SUBDRAIN



NOTES

1. Refer to other standard details for structural section, sight panel, curb and gutter.
2. Install perforated metal pipe and pervious back fill material except when solid rock exists or as required by Road Commissioner. Installation shall conform to Chapter 840, subsurface drainage, State Highway Design Manual, or its latest revision.
3. On cut slopes in hillside areas install 50 mm (2") A.C. on approved compacted material or undisturbed earth.
4. Existing ground shall be prepared in accord with Chapter III, Articles 5, Design Standards, County Land Development Regulations or its latest revision.

TYPE	A
ONE-WAY STREETS	4.3 m (14')
CUL-DE-SACS - 6 LOTS OR LESS MAX. POTENTIAL	6.1 m (20')
CUL-DE-SACS & MINOR STREETS SERVING MORE THAN 6 LOTS	7.3 m (24')
COLLECTOR STREETS	9.1 m (30')

METRIC (& ENGLISH) UNITS

		SANTA CLARA COUNTY ROADS AND AIRPORTS DEPARTMENT						STANDARD DETAILS HILLSIDE ROADS TYPICAL SECTIONS		DRAWING NO. A 8 SHT. NO. 1 of 2	
DESIGNED	VAP	DATE	09/24/97	WORK ORDER		APPROVAL:		PROJECT NO.		CONTRACT NO.	
DRAWN	LRE	DATE	09/24/97	LEVEL BOOK				FILE NO.			
CHECKED	VAP/TH	DATE	9/24/97	TRANSIT BOOK							