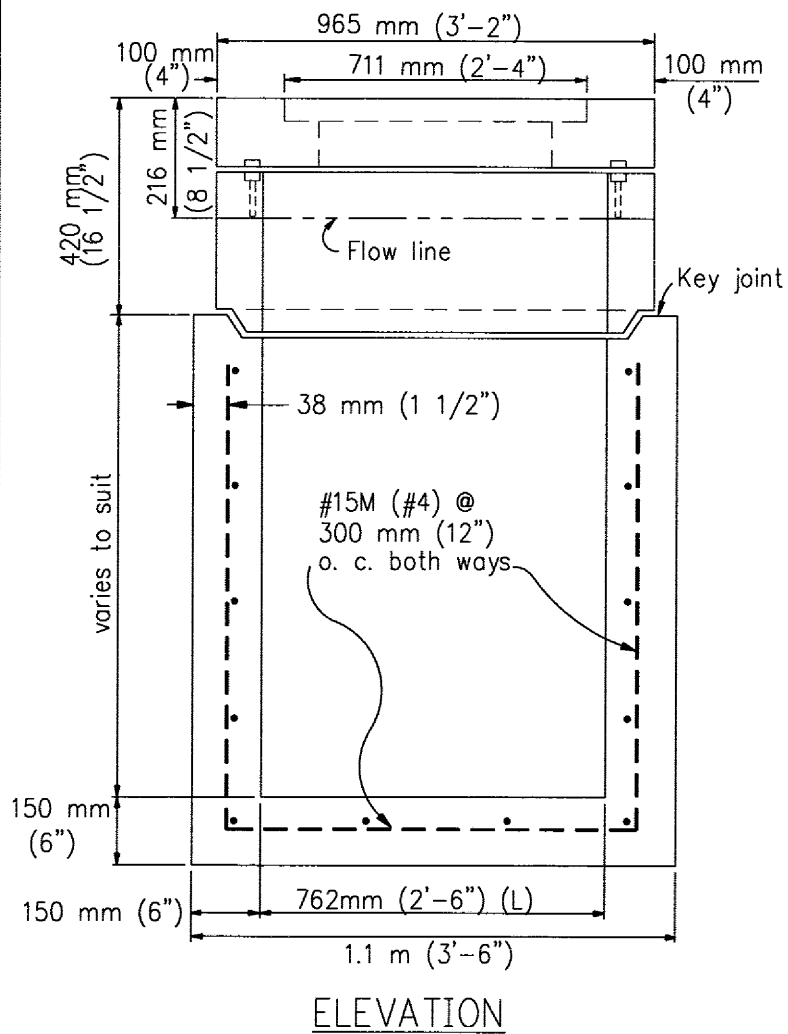
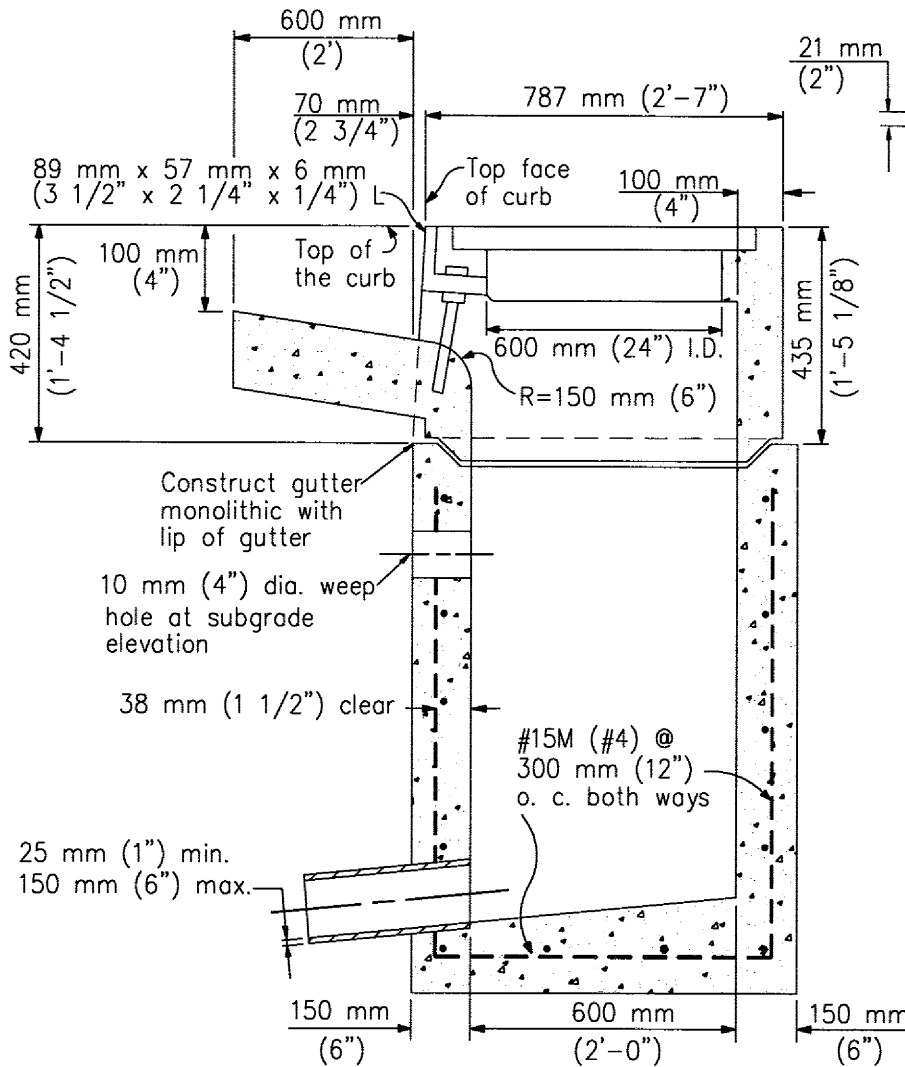


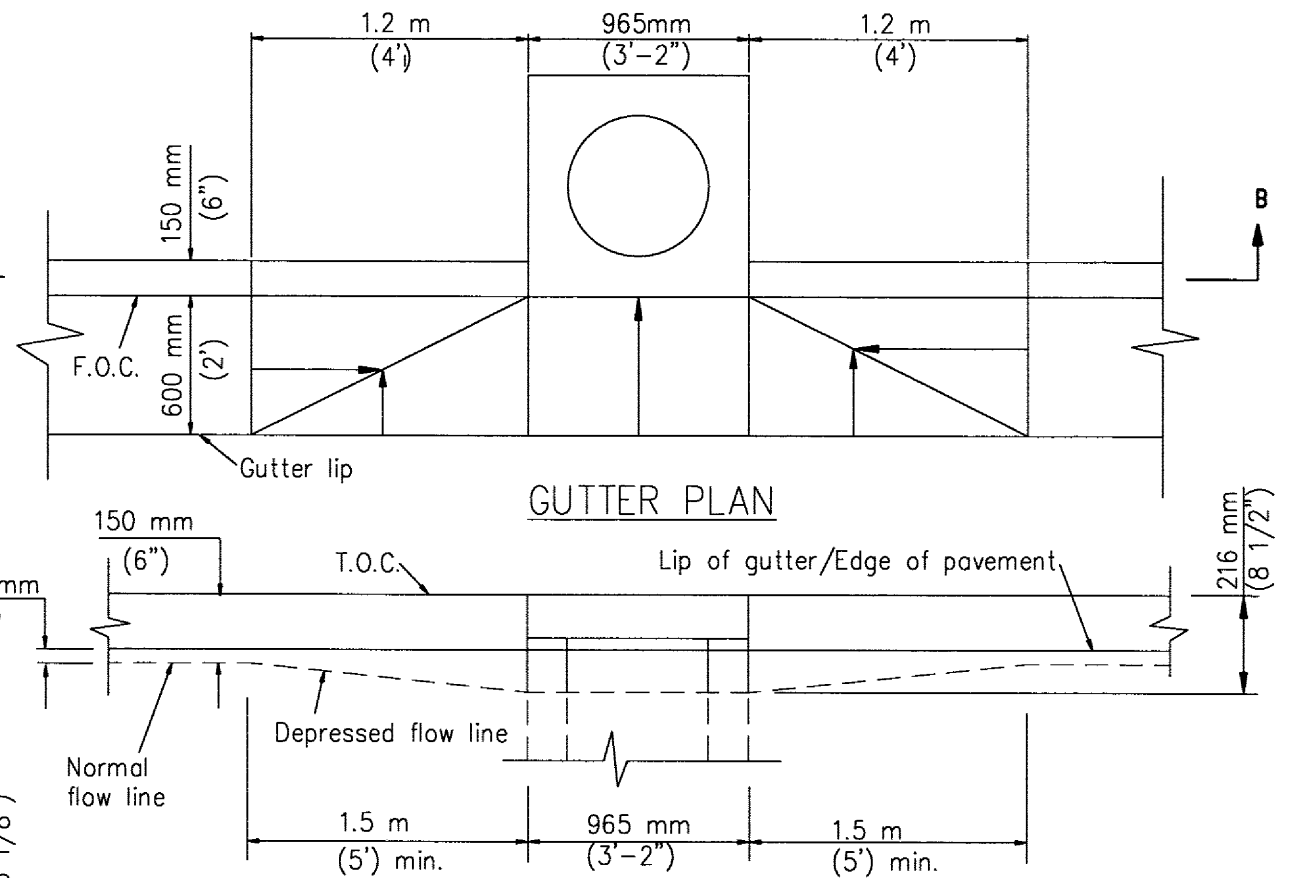
PLAN



ELEVATION



SECTION A-A



GUTTER PLAN

SECTION B-B - CURB & GUTTER PROFILE

No Scale

NOTES:

1. All metal parts shall be hot dipped galvanized after fabrication.
2. Concrete shall develop a strength of 20.7 MPa (3000 psi) at 28 days.
3. Maximum gutter slope without upstream gallery is 6%.
4. Cast in place base shown. Approved precast base optional.
5. Drainage inlet options:
  - a. Santa Rosa Cast Products Co., (tel. 707-546-5016)  
272 kg (600 lb) precast concrete model 2 1/2 A shown.  
23 kg (50 lb) pelican fiberglass model 2 1/5 A.
  - b. Teichert Aggregates, (tel. 916-484-3304)  
272 kg (600 lb) pavement concrete model 2 1/2 A.
  - c. Christy Concrete Products, (tel. 800-486-7070)  
746 kg (1644 lb) model U37
  - d. Other approved equal.

METRIC (& ENGLISH) UNITS

NO.	REVISIONS	BY	DATE	APP'D

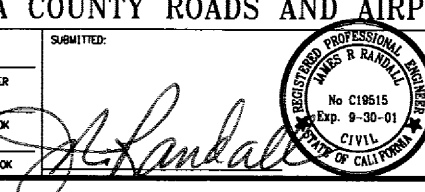


SANTA CLARA COUNTY ROADS AND AIRPORTS DEPARTMENT

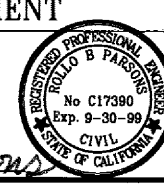
DESIGNED: VAP 09/26/97  
 DATE: STQ 09/26/97  
 DRAWN: VAP/TH 9/26/97  
 CHECKED: [ ]

WORK ORDER  
 LEVEL BOOK  
 TRANSIT BOOK

SUBMITTED: [ ]



APPROVAL: [ ]



STANDARD DETAILS  
 DRAINAGE INLET TYPE C-2 1/2

DRAWING NO. C  
 1  
 SHEET NO. 1 of 1

PROJECT NO. [ ] CONTRACT NO. [ ] FILE NO. [ ]