

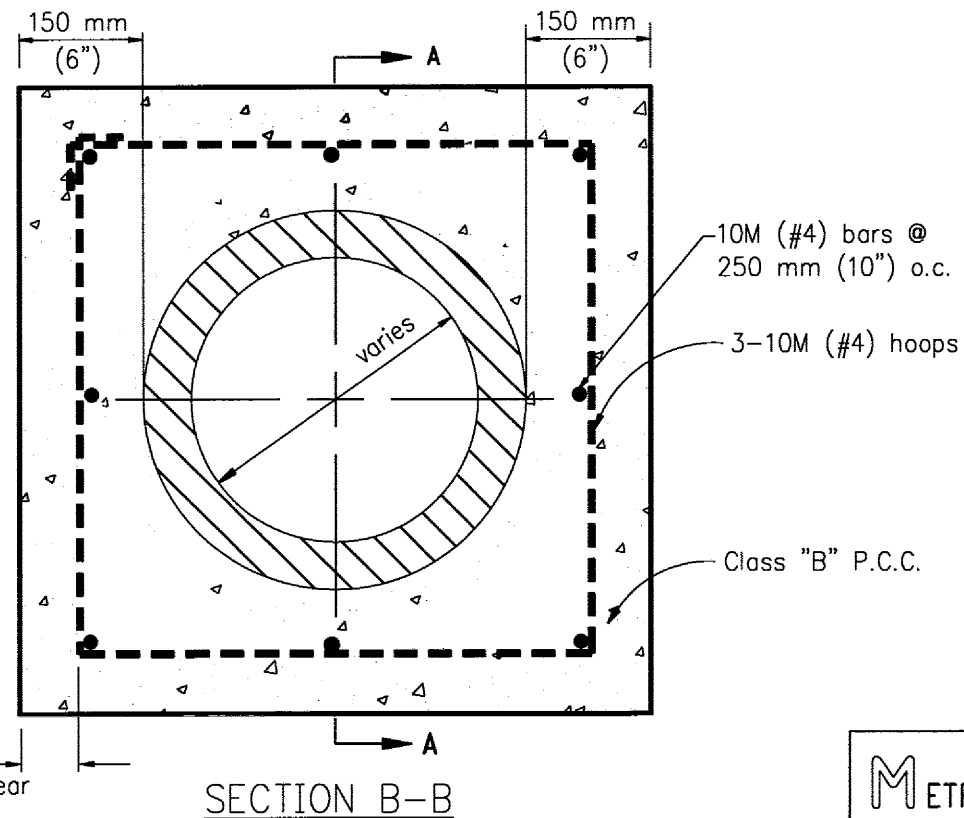
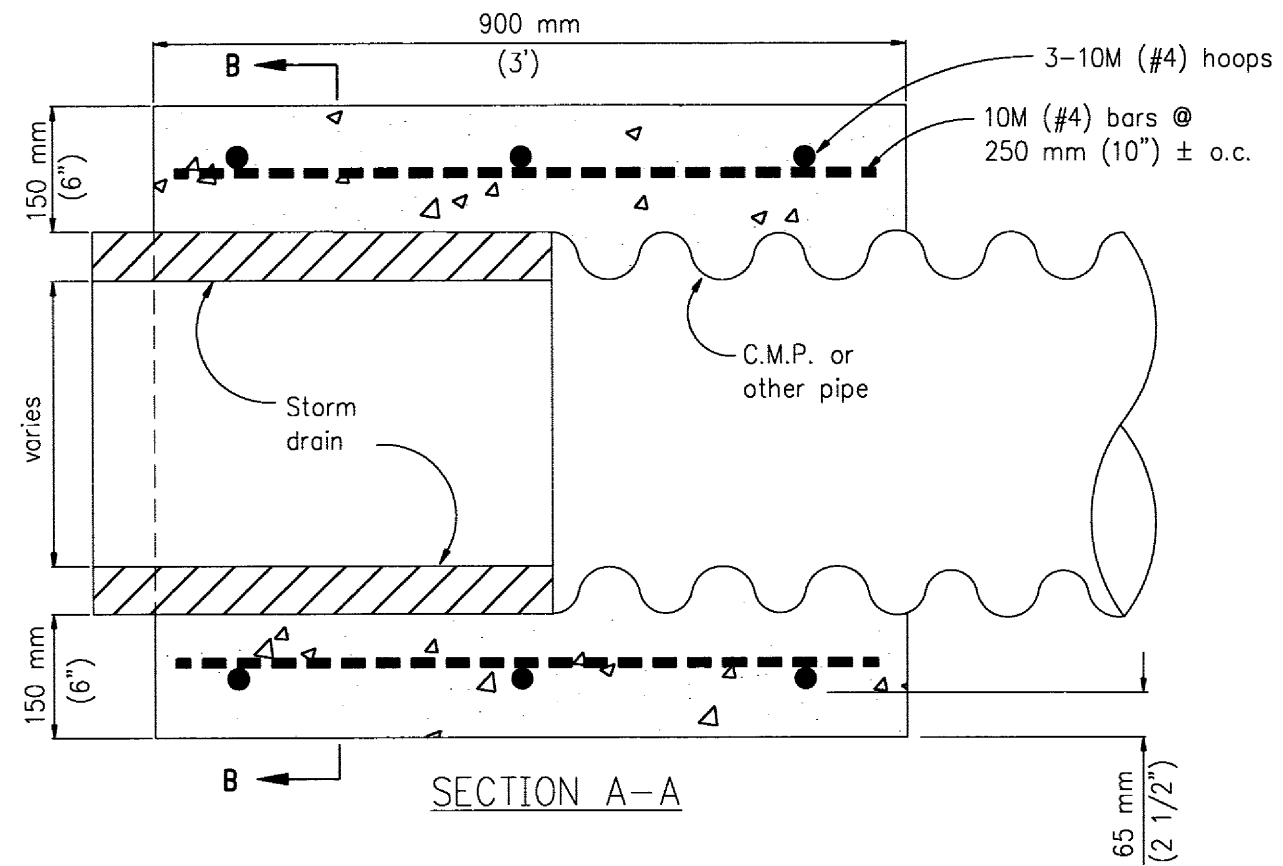
TONGUE & GROOVE FOR
305 mm (12") LATERAL
OR LARGER

BELL & SPIGOT FOR
250 mm (10") LATERAL
OR LESS

LATERAL CONNECTIONS

NOTES:

1. Break out portion of main to fit lateral
2. In storm main bend exposed steel so as to engage concrete collar.
3. Manhole may be required for connection of lateral to main.



METRIC (& ENGLISH) UNITS

NO.	REVISIONS	BY	DATE	APP'D



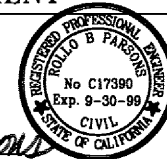
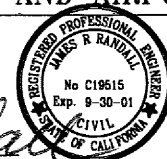
SANTA CLARA COUNTY ROADS AND AIRPORTS DEPARTMENT

DESIGNED: VAP 09/25/97
 DATE: 09/25/97
 DRAWN: VAP/TH 9/25/97
 CHECKED: _____ DATE: _____

WORK ORDER
 LEVEL BOOK
 TRANSIT BOOK

SUBMITTED:

APPROVAL:



STANDARD DETAILS
 STORM SEWER COLLARS

DRAWING NO. C
 10
 SHEET NO. 1 of 1

PROJECT NO. _____ CONTRACT NO. _____ FILE NO. _____