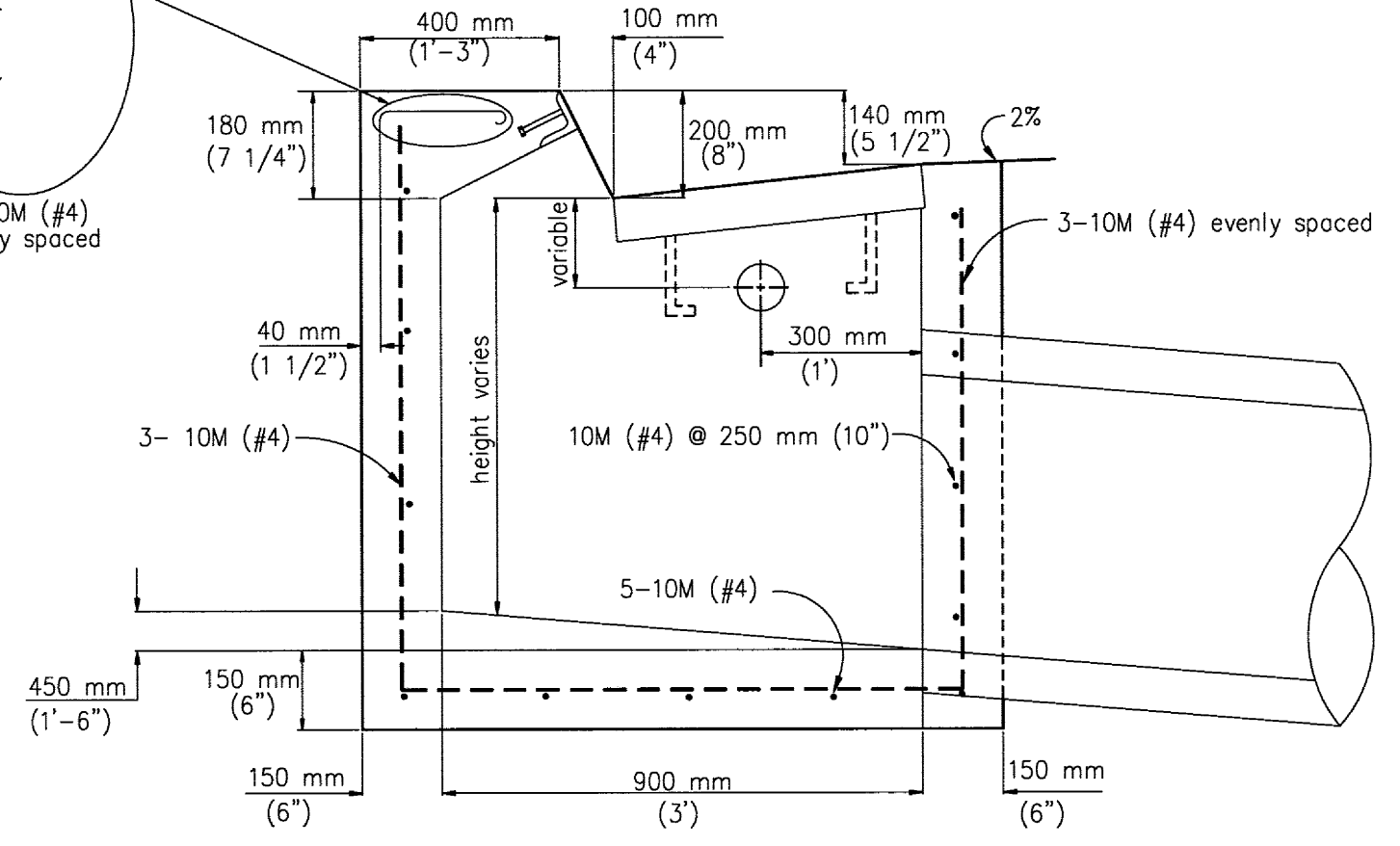
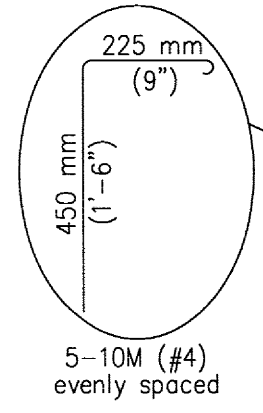
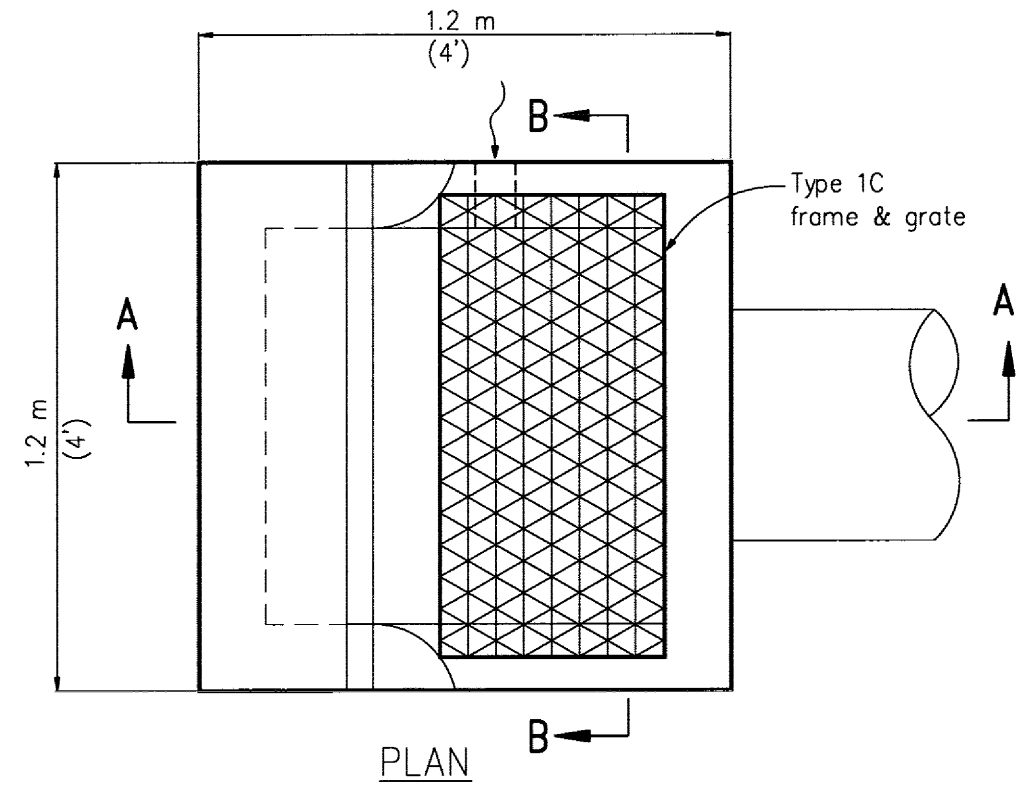


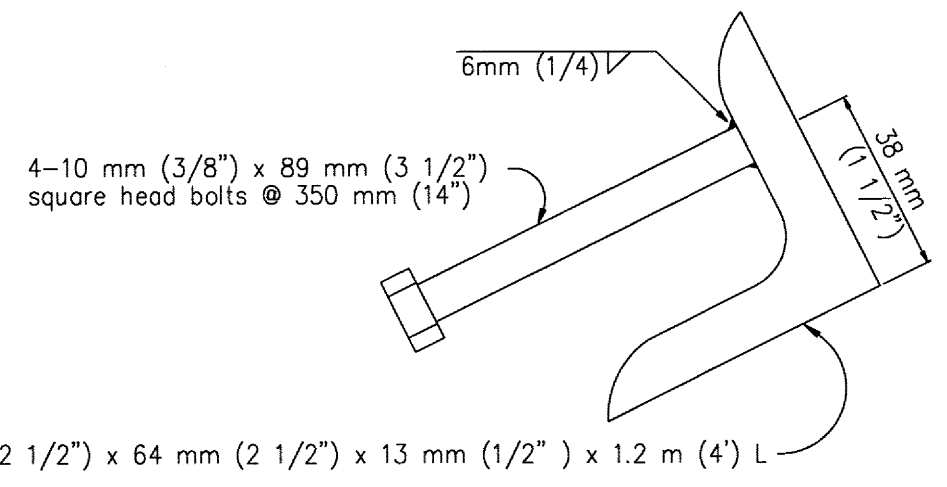
SECTION B-B



SECTION A-A



PLAN



ANGLE ANCHOR

64 mm (2 1/2") x 64 mm (2 1/2") x 13 mm (1/2") x 1.2 m (4') L

METRIC (& ENGLISH) UNITS

NO.	REVISIONS	BY	DATE	APP'D



SANTA CLARA COUNTY ROADS AND AIRPORTS DEPARTMENT

DESIGNED: VAP 09/29/97 DATE: 09/29/97
 DRAWN: RN 09/29/97 DATE: 9/29/97
 CHECKED: VAP/TH 9/29/97 DATE:

WORK ORDER:
 LEVEL BOOK:
 TRANSIT BOOK:

SUBMITTED:

APPROVAL:

REGISTERED PROFESSIONAL ENGINEER
 JAMES R. RANDALL
 No. C19515
 Exp. 9-30-01
 CIVIL
 STATE OF CALIFORNIA

REGISTERED PROFESSIONAL ENGINEER
 ROLLO B. PARSONS
 No. C17390
 Exp. 9-30-99
 CIVIL
 STATE OF CALIFORNIA

STANDARD DETAILS
 DROP INLET TYPE D

PROJECT NO. CONTRACT NO. FILE NO.

DRAWING NO. C 11
 SHT NO. 1 of 2