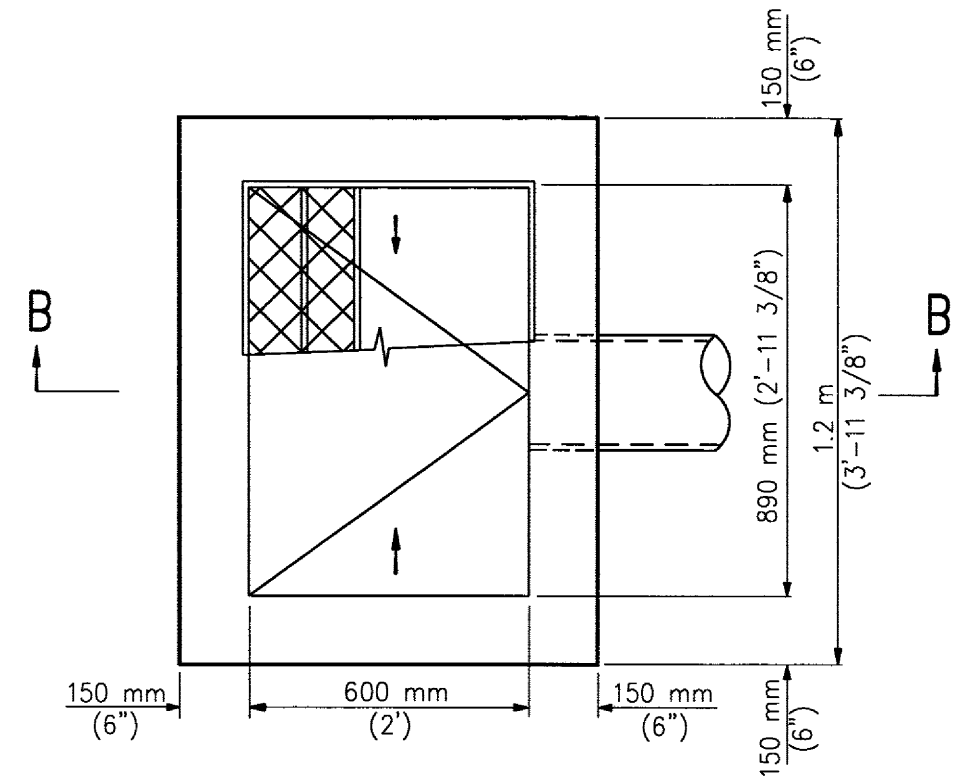
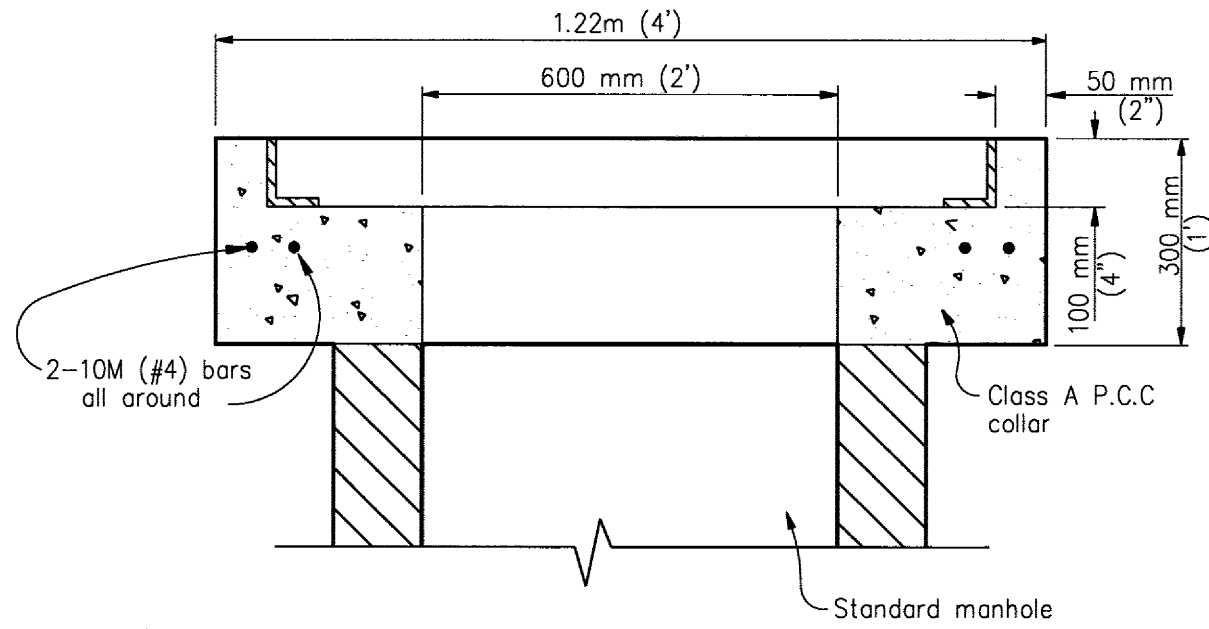


Type 1C frame and grate

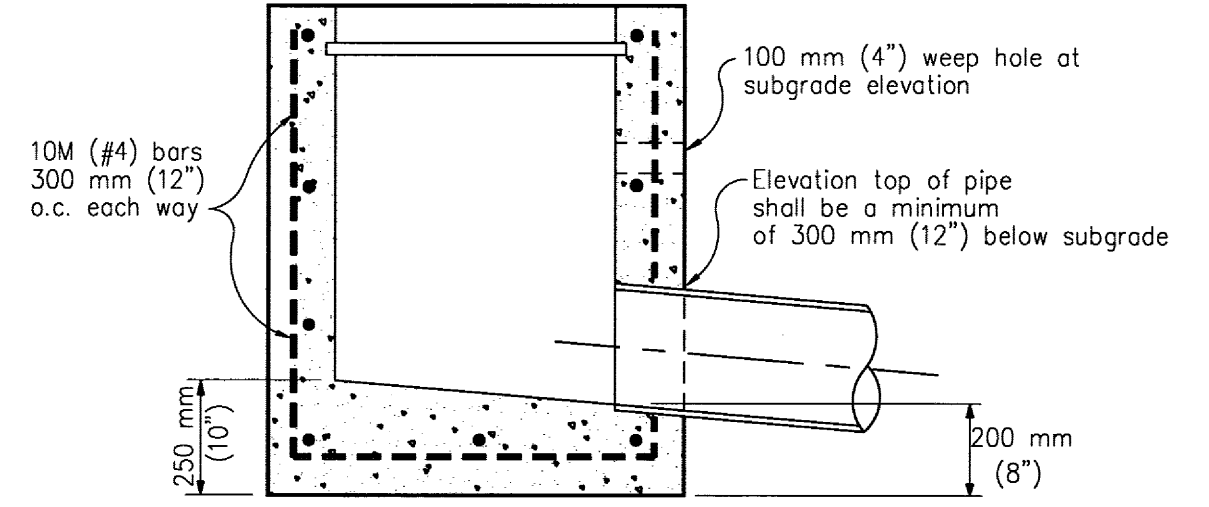
PLAN



PLAN



SECTION A-A
MANHOLE DROP INLET



SECTION B-B
TYPE G-1
DROP INLET

METRIC (& ENGLISH) UNITS

NO.	REVISIONS	BY	DATE	APP'D



SANTA CLARA COUNTY ROADS AND AIRPORTS DEPARTMENT

DESIGNED: VAP 09/25/97
 DATE: LRE 09/25/97
 DRAWN: VAP/TH 9/25/97
 CHECKED: [Signature]

WORK ORDER
 LEVEL BOOK
 TRANSIT BOOK

SUBMITTED: [Signature]

APPROVAL: [Signature]



APPROVAL: [Signature]



PROJECT NO.

CONTRACT NO.

FILE NO.

STANDARD DETAILS
 TYPE G1 AND MANHOLE DROP INLET

DRAWING NO. C
 SHEET NO. 2
 1 of 1