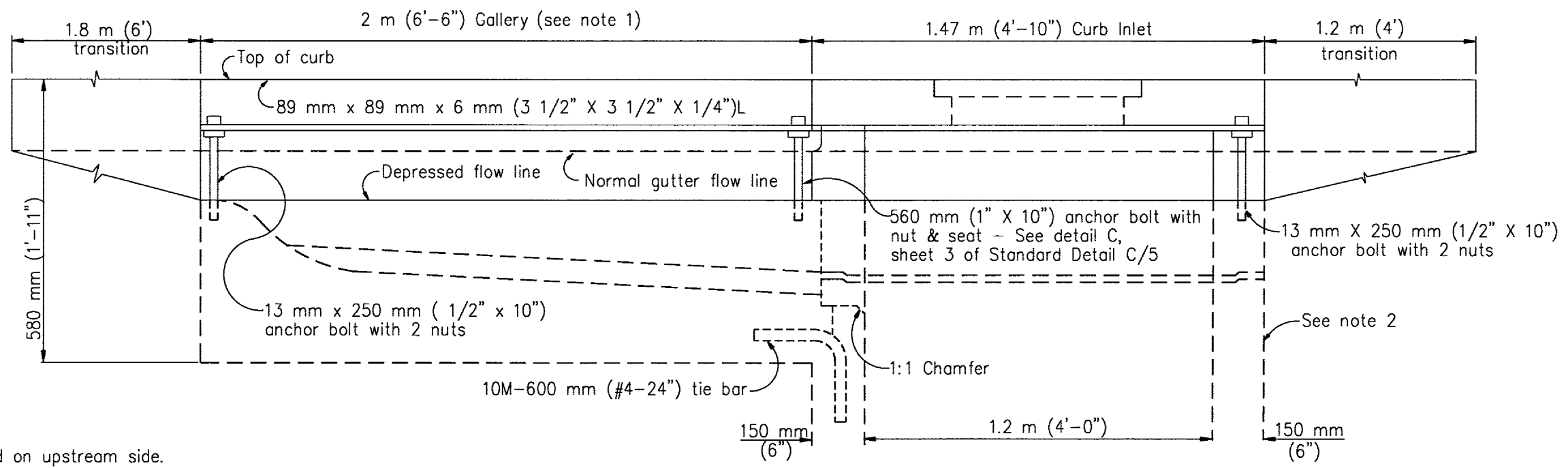


PLAN



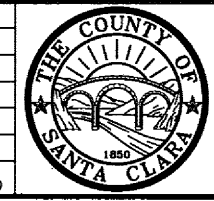
ELEVATION

METRIC (& ENGLISH) UNITS

NOTES

1. Gallery to be installed on upstream side.
2. See standard drainage inlet type C-2 1/2 for basic details L= 1.2 m (4'-0")

NO.	REVISIONS	BY	DATE	APP'D



SANTA CLARA COUNTY ROADS AND AIRPORTS DEPARTMENT

DESIGNED: VAP 09/22/97 DATE: 09/22/97

DRAWN: LRE 09/22/97 DATE: 09/22/97

CHECKED: VAP 09/22/97 DATE: 09/22/97

WORK ORDER

LEVEL BOOK

TRANSIT BOOK

SUBMITTED: *[Signature]*

APPROVAL: *[Signature]*

REGISTERED PROFESSIONAL ENGINEER
JAMES R. RANDALL
No. C19515
Exp. 9-30-97
CIVIL
STATE OF CALIFORNIA

REGISTERED PROFESSIONAL ENGINEER
ROLLO B. PARSONS
No. C17390
Exp. 9-30-99
CIVIL
STATE OF CALIFORNIA

STANDARD DETAILS
DRAINAGE INLET
TYPE C-4 WITH GALLERY

PROJECT NO. _____ CONTRACT NO. _____ FILE NO. _____

DRAWING NO. C 5

SHT. NO. 1 of 3