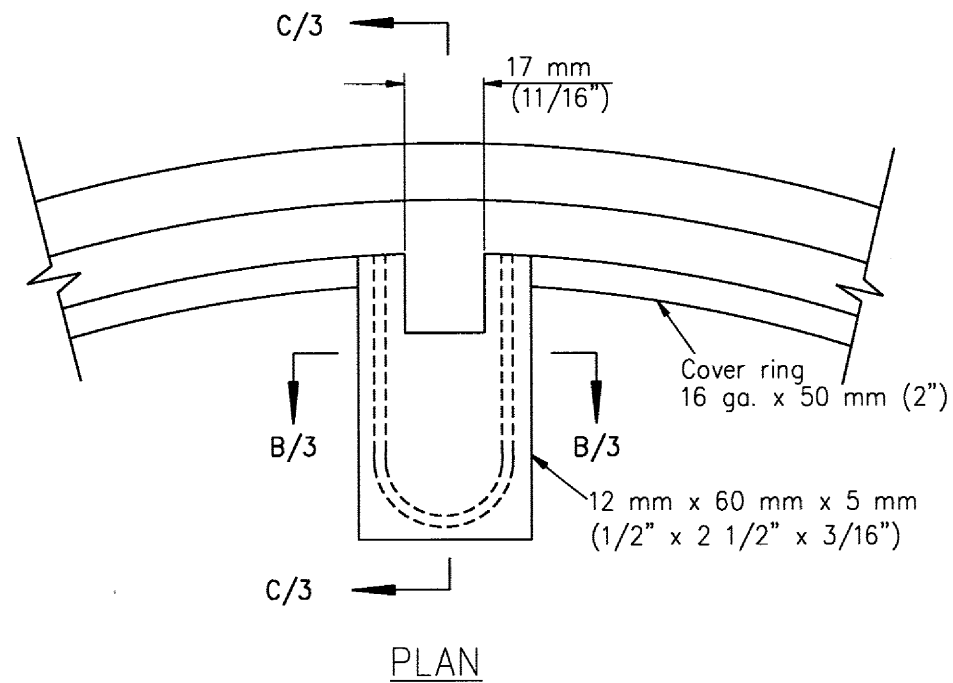
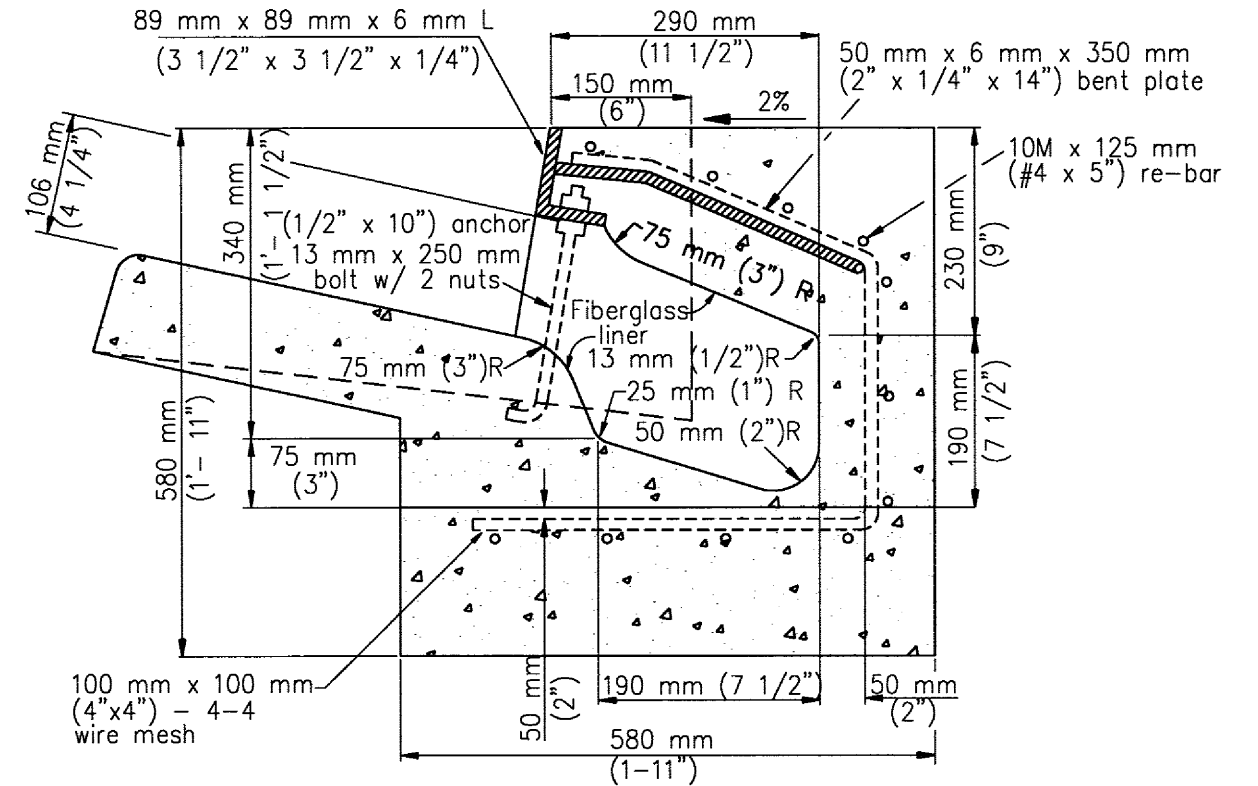


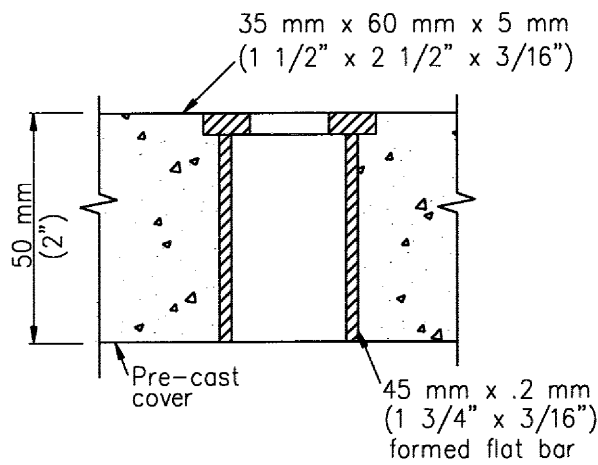
ANCHOR BOLT & SEAT DETAIL C



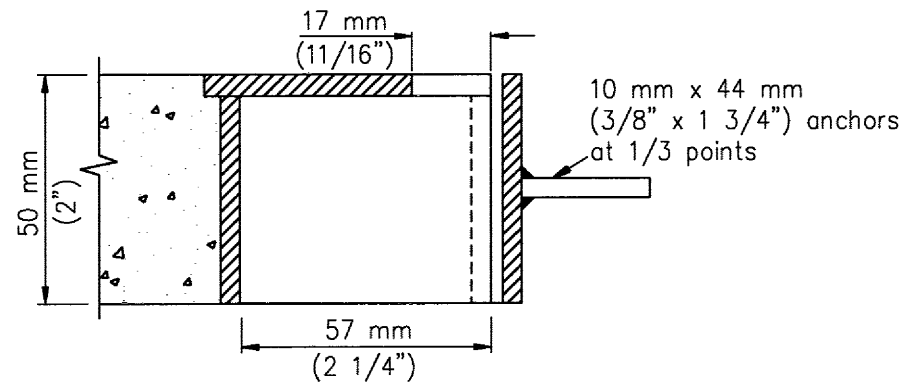
PLAN



SECTION A/3-A/3



SECTION B/3-B/3



SECTION C/3-C/3

PICK HOLE DETAILS D

NOTE:

Gallery ~ Santa Rosa Cast Products Co. model 6Y or approved equal by Road Commissioner.

METRIC (& ENGLISH) UNITS

NO.	REVISIONS	BY	DATE	APP'D



SANTA CLARA COUNTY ROADS AND AIRPORTS DEPARTMENT

DESIGNED: VAP 09/25/97  
 DATE: 09/25/97  
 DRAWN: VAP/TH 9/25/97  
 CHECKED:  

WORK ORDER:    
 LEVEL BOOK:    
 TRANSIT BOOK:  

SUBMITTED: *[Signature]*  
 REGISTERED PROFESSIONAL ENGINEER  
 No C19515  
 Exp. 9-30-01  
 CIVIL  
 STATE OF CALIFORNIA

APPROVAL: *[Signature]*  
 REGISTERED PROFESSIONAL ENGINEER  
 No C17390  
 Exp. 9-30-99  
 CIVIL  
 STATE OF CALIFORNIA

STANDARD DETAILS  
 DRAINAGE INLET  
 TYPE C-4 WITH GALLERY

PROJECT NO.  CONTRACT NO.  FILE NO.  DRAWING NO. C 5

SHEET NO. 3 OF 3