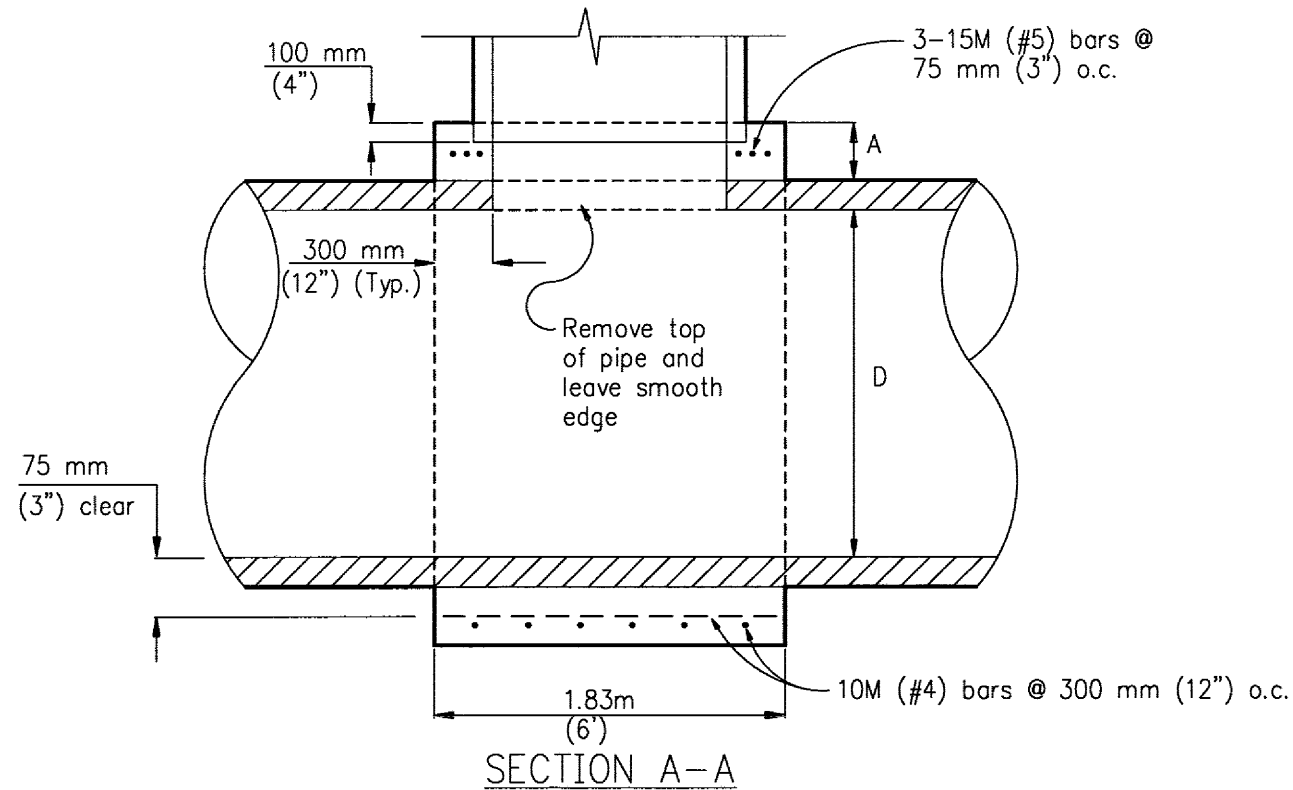
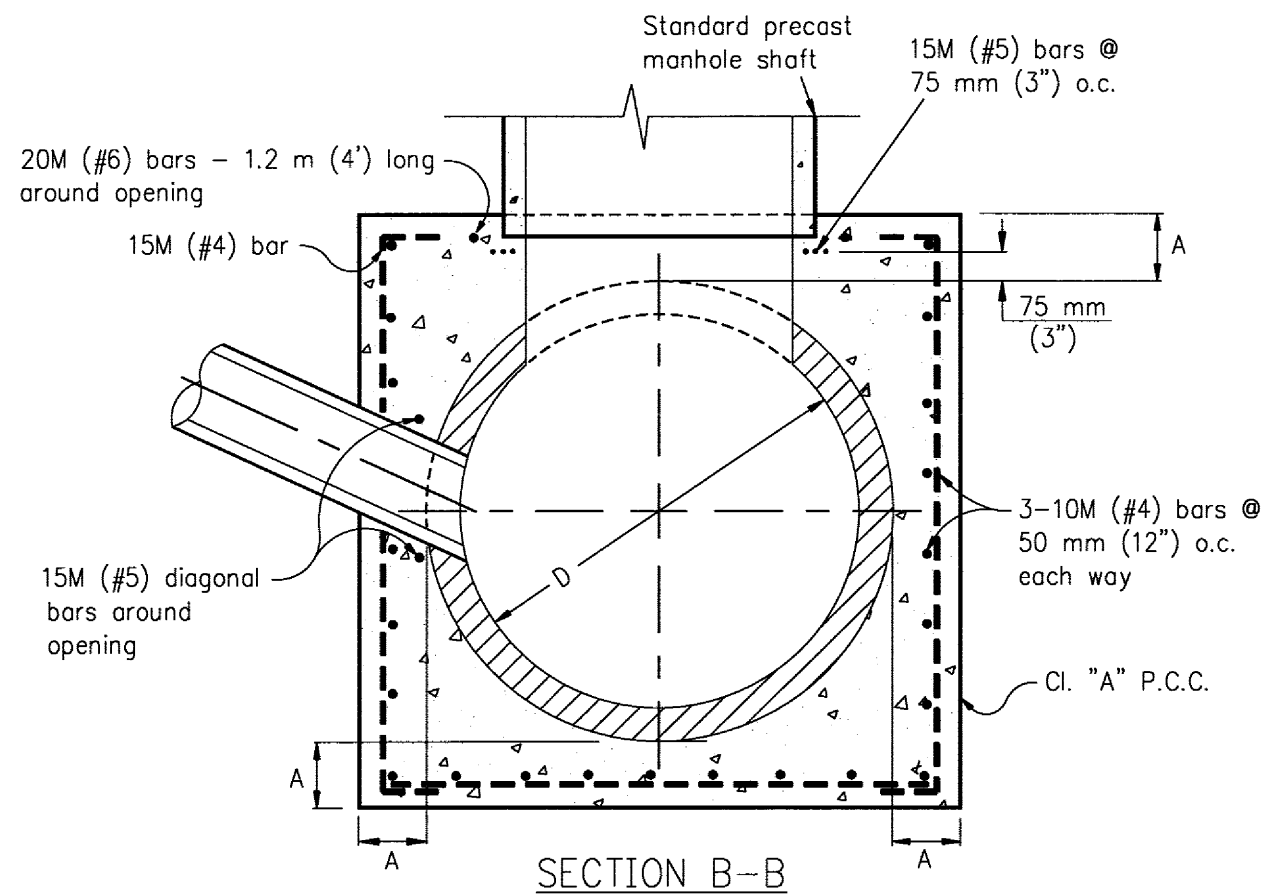


PLAN



SECTION A-A

D	A min.
1.2 m (48")	200 mm (8")
1.35 m (54")	230 mm (9")
1.5 m (60")	250 mm (10")
1.65 m (66")	280 mm (11")
1.8 m (72")	280 mm (11")
1.95 m (78")	300 mm (12")
2.1 m (84")	300 mm (12")



SECTION B-B

METRIC (& ENGLISH) UNITS

NO.	REVISIONS	BY	DATE	APP'D

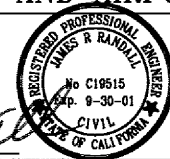


SANTA CLARA COUNTY ROADS AND AIRPORTS DEPARTMENT

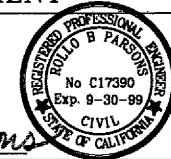
DESIGNED: VAP 09/25/97
 DATE: RN 09/25/97
 DRAWN: VAP/TH 9/25/97
 CHECKED: [Signature]

WORK ORDER
 LEVEL/BOOK
 TRANSIT BOOK

SUBMITTED: [Signature]



APPROVAL: [Signature]



STANDARD DETAILS
 STRAIGHT MANHOLE BASES
 1.2 m (48") THROUGH 2.1 m (84")

DRAWING NO. C
 7
 SHEET NO. 1 of 1

PROJECT NO. CONTRACT NO. FILE NO.