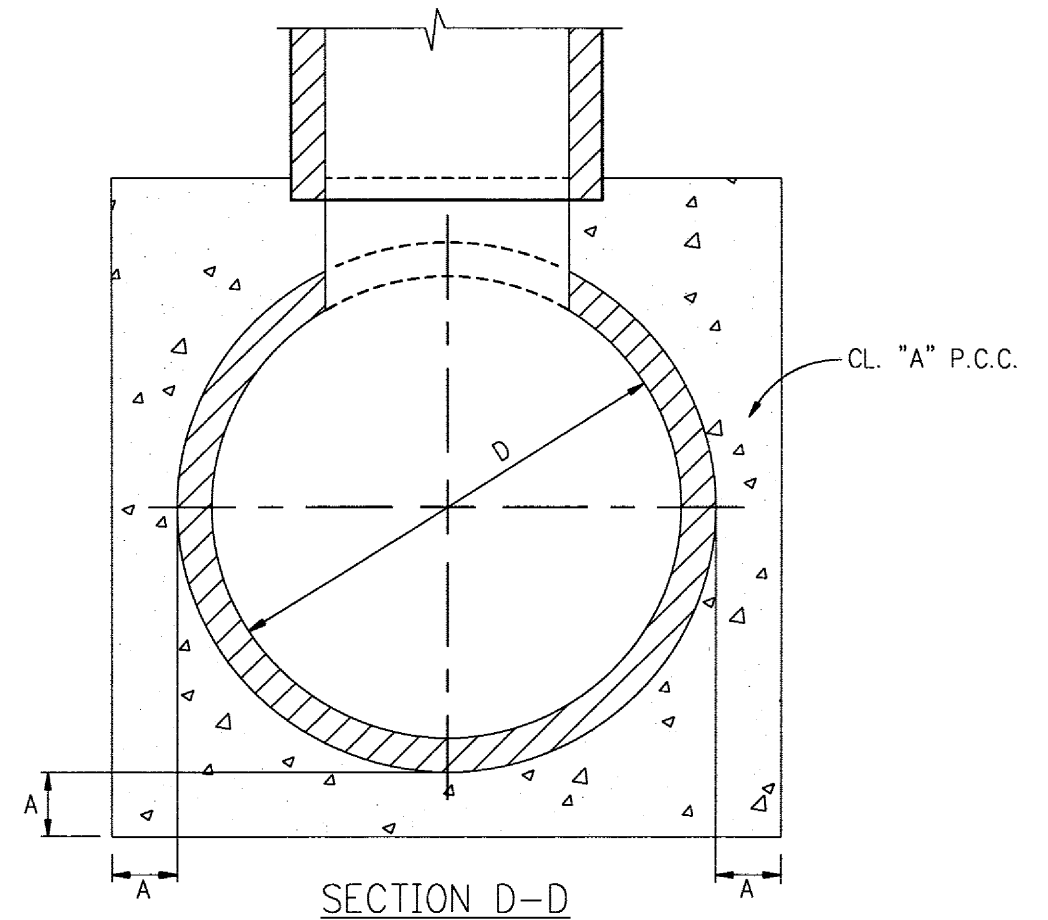
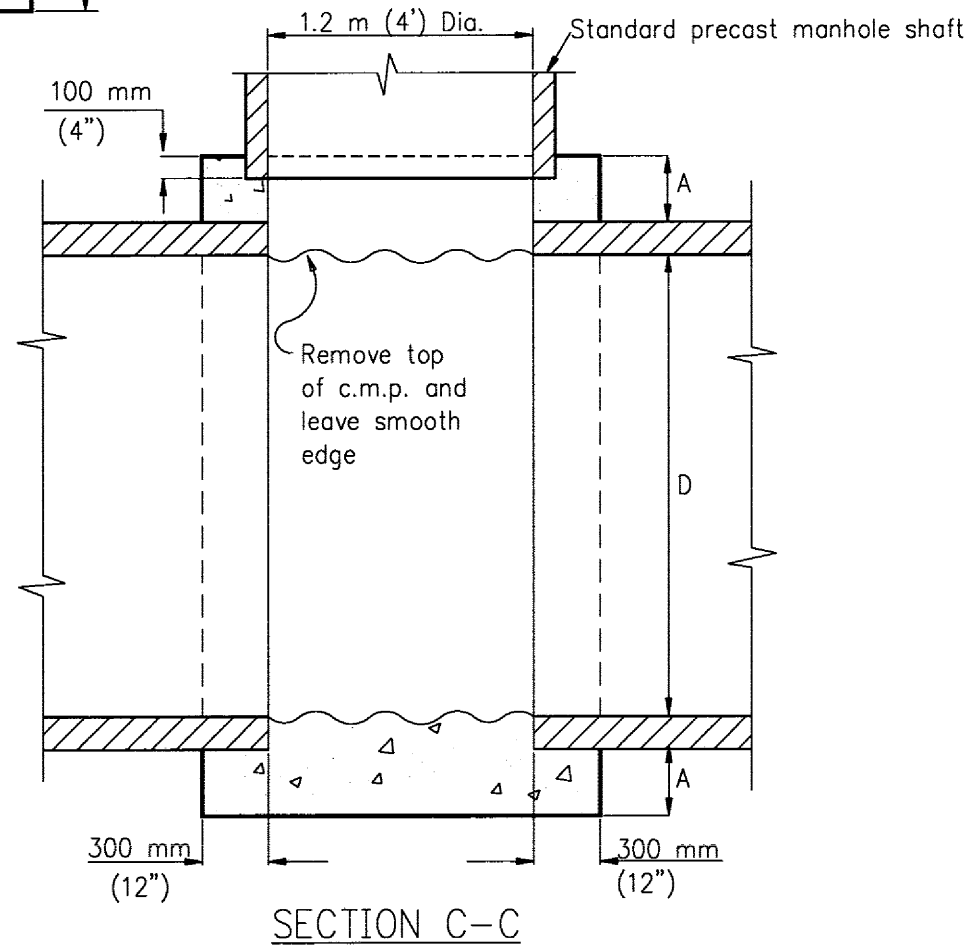


D	A
1.2 m (48")	200 mm (8")
1.35 m (54")	230 mm (9")
1.5 m (60")	250 mm (10")
1.65 m (66")	280 mm (11")
1.8 m (72")	280 mm (11")
1.95 m (78")	300 mm (12")
2.1 m (84")	300 mm (12")

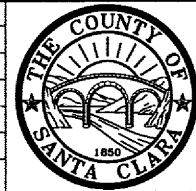
NOTES:

1. For $\Delta = 5^\circ$ to 90° , install 2 pieces C.M.P elbow - 3.4 mm (10 ga.).
2. For $\Delta = 5^\circ$ to 90° , install 3 pieces C.M.P elbow - 3.4 mm (10 ga.).
3. Install base reinforcement per standard detail C/7.
4. See chart for "A" dimension.



METRIC (& ENGLISH) UNITS

NO.	REVISIONS	BY	DATE	APP'D



SANTA CLARA COUNTY ROADS AND AIRPORTS DEPARTMENT

DESIGNED: VAP 09/22/97
 DATE: RN 09/22/97
 DRAWN: VAP 09/22/97
 CHECKED: _____ DATE: _____

WORK ORDER
 LEVEL BOOK
 TRANSIT BOOK

SUBMITTED: _____
 APPROVAL: _____
 REGISTERED PROFESSIONAL ENGINEER
 JAMES B. RANDALL
 No. C19515
 Exp. 9-30-01
 CIVIL
 STATE OF CALIFORNIA

REGISTERED PROFESSIONAL ENGINEER
 ROLLO B. PARSONS
 No. C17390
 Exp. 9-30-99
 CIVIL
 STATE OF CALIFORNIA

STANDARD DETAILS
 ANGLE MANHOLES BASES
 1.2 m THROUGH 2.1 m (84")

DRAWING NO. C
 8
 SHEET NO. 1 of 1

PROJECT NO. _____ CONTRACT NO. _____ FILE NO. _____