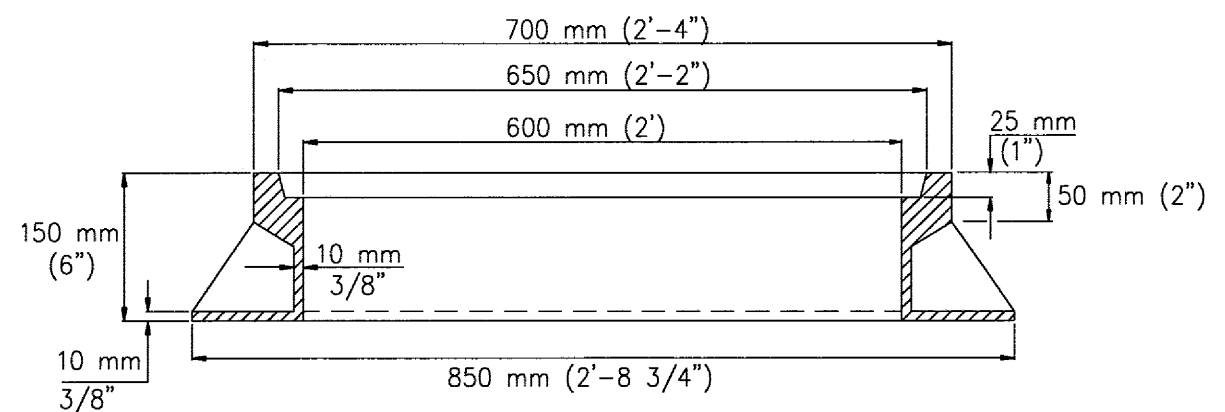
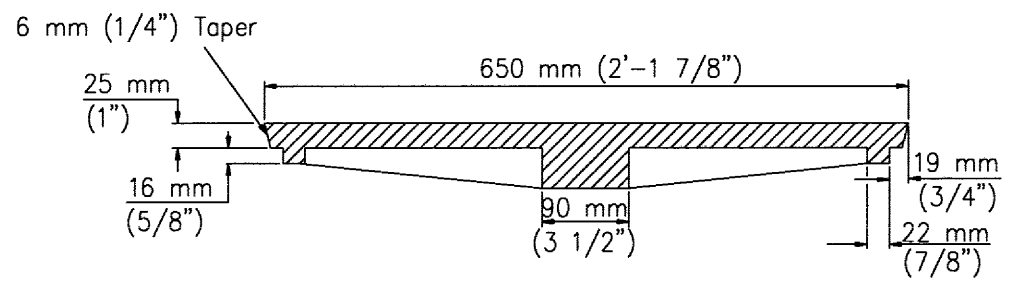


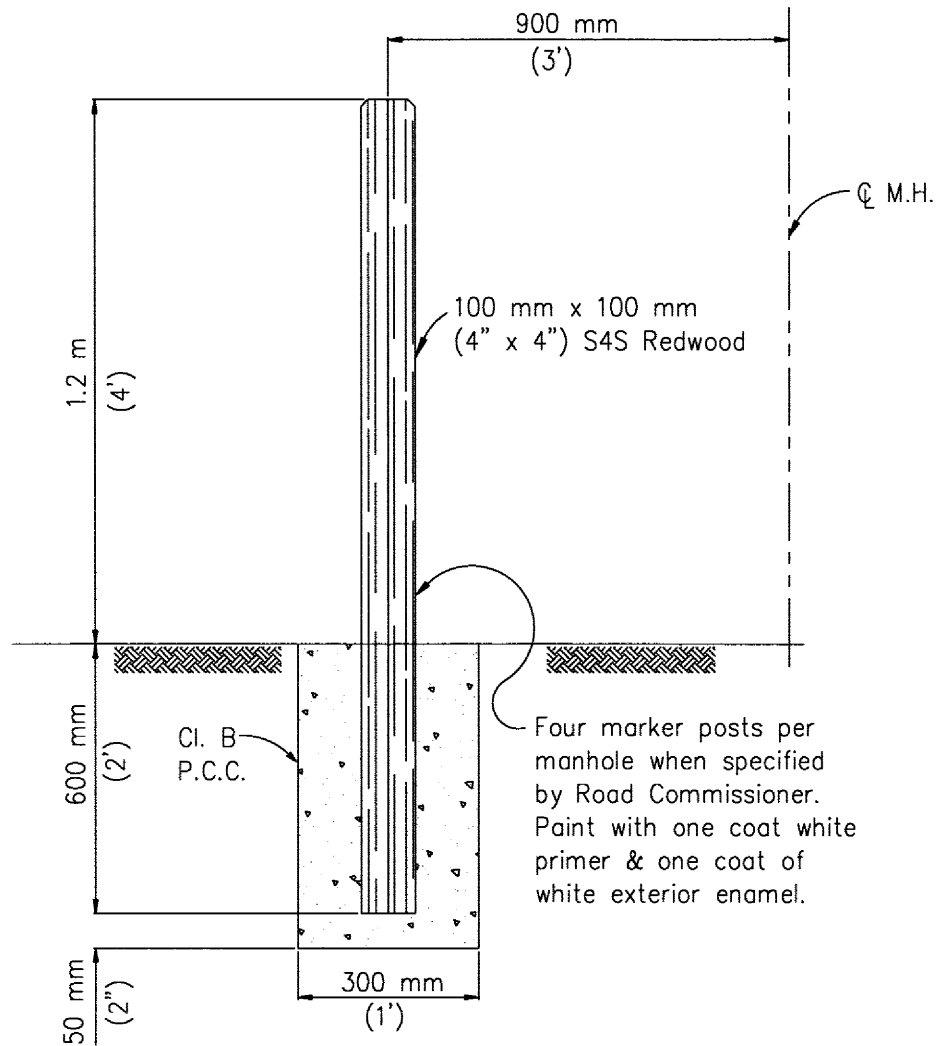
FRAME & COVER



CROSS SECTION OF FRAME



CROSS SECTION OF COVER



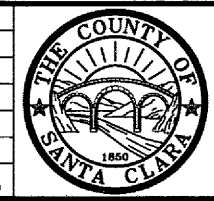
MANHOLE MARKER POST

NOTES :

1. Two pickholes shall be provided in each cover.
2. Manufacturer to certify that frame and cover meet all load requirements for H-20 highway loading.
3. All bearing surfaces shall be machine finished.

METRIC (& ENGLISH) UNITS

NO.	REVISIONS	BY	DATE	APP'D



SANTA CLARA COUNTY ROADS AND AIRPORTS DEPARTMENT

DESIGNED: VAP 09/22/97 DATE: 09/22/97

DRAWN: RN 09/22/97 DATE: 09/22/97

CHECKED: VAP 09/22/97 DATE: 09/22/97

WORK ORDER: _____

LEVEL BOOK: _____

TRANSIT BOOK: _____

SUBMITTED: _____

APPROVAL: _____

REGISTERED PROFESSIONAL ENGINEER
 ANDRES R. RAMIREZ
 No. C19515
 Exp. 9-30-01
 CIVIL
 STATE OF CALIFORNIA

REGISTERED PROFESSIONAL ENGINEER
 ROLLO B. PARSONS
 No. C17390
 Exp. 9-30-99
 CIVIL
 STATE OF CALIFORNIA

STANDARD DETAILS
 MANHOLE FRAME AND COVER

PROJECT NO. _____ CONTRACT NO. _____ FILE NO. _____

DRAWING NO. C 9

SHEET NO. 1 of 1