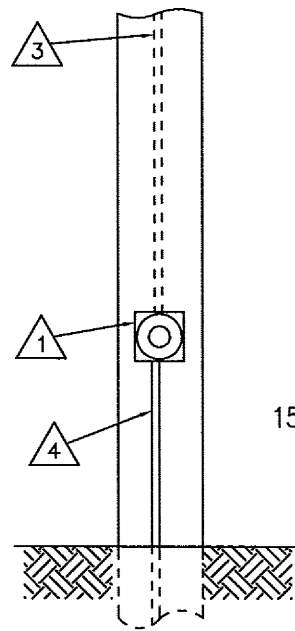
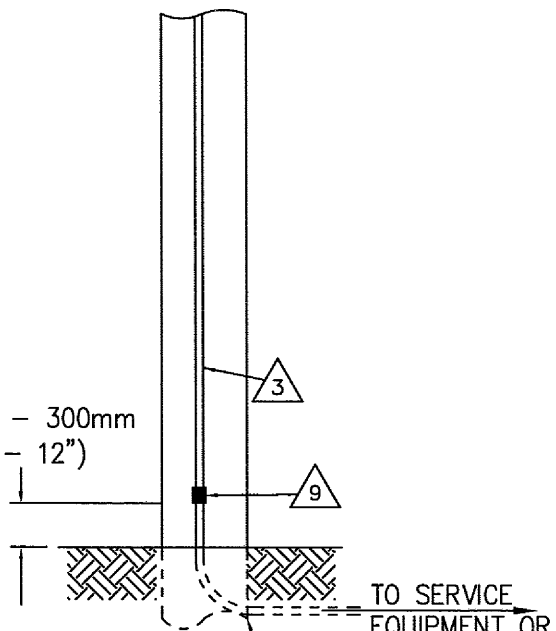


TYPE F SERVICE

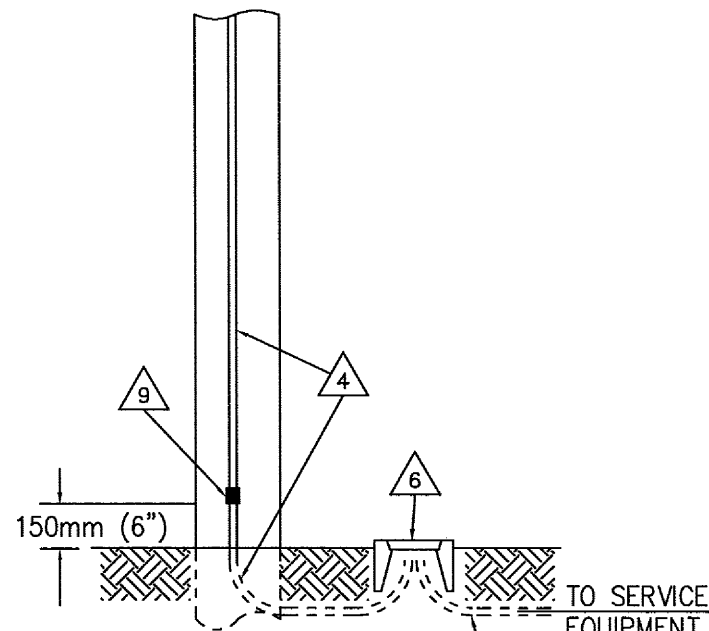


TYPE K SERVICE 7

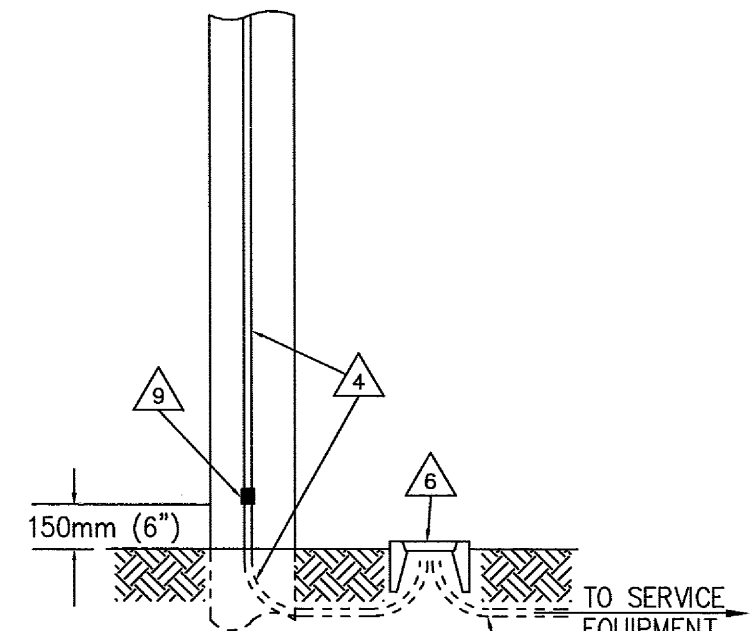
150mm - 300mm  
(6" - 12")



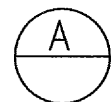
TYPE PGE SERVICE



TYPE SC SERVICE 8



TYPE PA SERVICE 10



POLE MOUNTED SERVICE INSTALLATIONS 11

NOTES :

- 1 METER SOCKET
- 2 SERVICE ENCLOSURE 60 AMP. SIZE MINIMUM, UNLESS OTHERWISE SHOWN.
- 3 UTILITY OWNED POLE. SERVICE RISER (AND CONTACTOR WITH PEC WHERE REQUIRED) FURNISHED AND INSTALLED BY THE SERVICING UTILITY.
- 4 78mm (3 IN.) MIN. CONDUIT FURNISHED AND INSTALLED BY CONTRACTOR. SERVICING UTILITY WILL FURNISH AND INSTALL CONDUCTORS AND SPLICE IN SERVICE PULLBOX, UNLESS DIRECTED OTHERWISE BY THE SERVICING UTILITY.
- 5 16mm (1/2 IN.) GROUND CONDUIT WITH 1-#6 AWG BARE COPPER. SEE "SERVICE GROUNDING" DETAIL.
- 6 SERVICE PULLBOX (#5 MIN. WITH EXTENSION UNLESS OTHERWISE NOTED) FURNISHED AND INSTALLED BY CONTRACTOR. EXACT LOCATION TO BE DETERMINED BY THE SERVICING UTILITY.
- 7 SERVICE TYPE K SHALL BE USED FOR REPLACEMENT IN KIND OF EXISTING AND SHALL NOT BE USED FOR NEW INSTALLATION.
- 8 TYPE SC SERVICE SHALL APPLY WHERE CITY OF SANTA CLARA IS THE SERVICING UTILITY.
- 9 COUPLING FOR CONDUIT SHALL BE PROVIDED AS NECESSARY.

- 10 TYPE PA SERVICE SHALL APPLY WHERE CITY OF PALO ALTO IS THE SERVICING UTILITY.
- 11 QUADRANT SHALL BE DETERMINED BY THE SERVICING UTILITY.

**M**ETRIC (& ENGLISH) UNITS

<b>SANTA CLARA COUNTY ROADS AND AIRPORTS DEPARTMENT</b>				DESIGNED: TH 12/1/10 DATE: RD 12/1/10 DRAWN: TH 12/1/10 CHECKED: _____ DATE: _____		SUBMITTED: TONG HONG SENIOR CIVIL ENGINEER 		APPROVAL: DAN COLLEN DEPUTY DIRECTOR 		<b>STANDARD DETAILS SERVICE POINT INSTALLATION</b>		DRAWING NO. <b>E</b>
				WORK ORDER LEVEL BOOK TRANSIT BOOK		PROJECT NO. _____ CONTRACT NO. _____ FILE NO. _____		SHEET NO. <b>1</b> OF <b>2</b>				