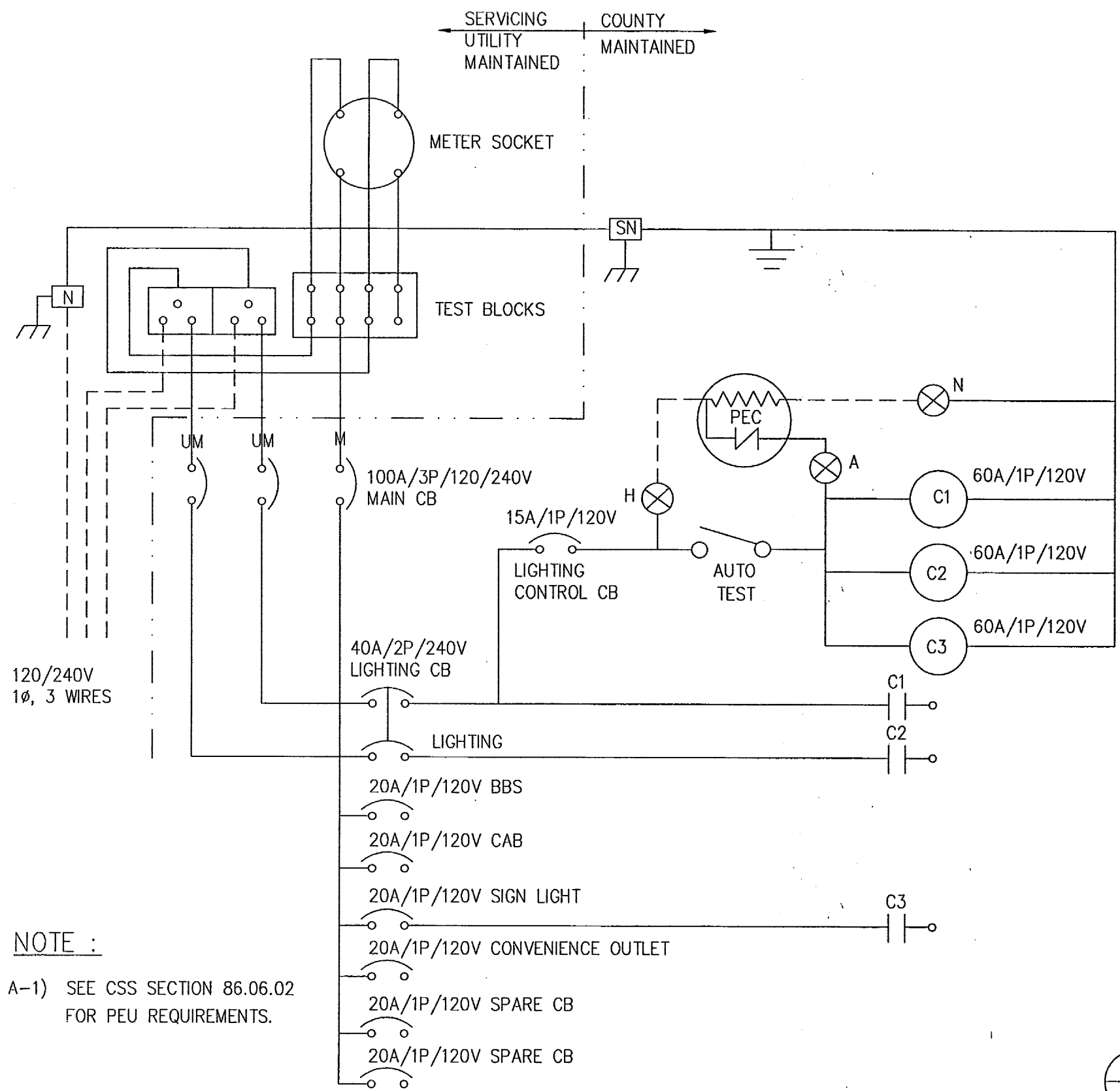


47

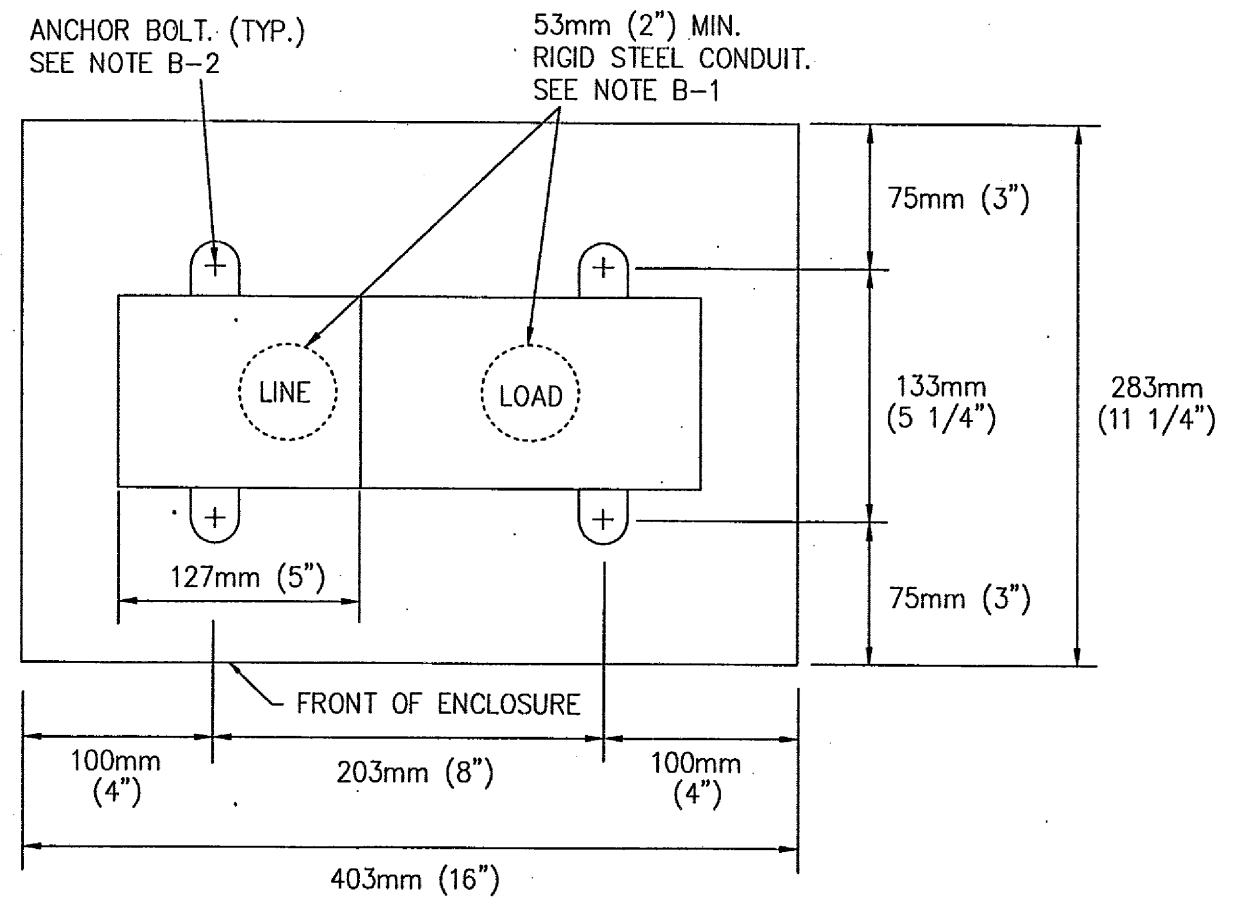


NOTE :
 A-1) SEE CSS SECTION 86.06.02 FOR PEU REQUIREMENTS.

A 120V/240V SERVICE WIRING DIAGRAM

LEGEND :

- A AMPERE
- CB CIRCUIT BREAKER
- M METERED
- N NEUTRAL
- SN SOLID NEUTRAL
- UM UNMETERED
- V VOLT
- PEC PHOTOELECTRIC CONTROL
- ∅ PHASE
- ⊗ TERMINAL BLOCK
- |— CONTACTOR



NOTES :

- B-1) LOCATION OF CONDUITS IN FOUNDATION TO MATCH WITH CONDUIT OPENINGS AT BASE OF SERVICE ENCLOSURE.
- B-2) LOCATION OF ANCHOR BOLTS TO BE VERIFIED WITH MANUFACTURER'S SPECIFICATIONS.

B TOP VIEW - SERVICE EQUIPMENT ENCLOSURE BASE

METRIC (& ENGLISH) UNITS

		SANTA CLARA COUNTY ROADS AND AIRPORTS DEPARTMENT				STANDARD DETAILS SERVICE EQUIPMENT TYPE III-AF		DRAWING NO. E		
		DESIGNED CL 10/04/05	DATE 10/04/05	WORK ORDER	SUBMITTED			APPROVAL: 	PROJECT NO.	CONTRACT NO.
REVISIONS		BY	DATE	APP'D	CHECKED TH 10/04/05	DATE	TRANSIT BOOK	PROJECT NO.	CONTRACT NO.	FILE NO.