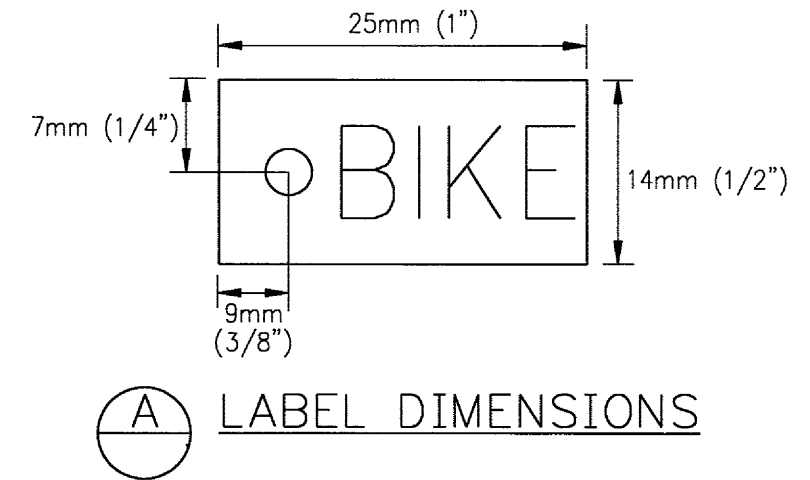


LABEL CHARACTER	DEFINITION	LABEL CHARACTER	DEFINITION
ø1	PHASE 1	1	1
ø2	PHASE 2	2	2
ø3	PHASE 3	3	3
ø4	PHASE 4	4	4
ø5	PHASE 5	5	5
ø6	PHASE 6	6	6
ø7	PHASE 7	7	7
ø8	PHASE 8	8	8
PED	PEDESTRIAN	9	9
BIKE	BICYCLE	10	10
FIRE	FIRE PREEMPTION	11	11
OPT	OPTICOM	12	12
HOV	HIGH OCCUPANCY VEHICLE	24V	24 VOLTS
TO	TO	NB	NORTHBOUND
FROM	FROM	SB	SOUTHBOUND
PEC	PHOTOELECTRIC CONTROL	WB	WESTBOUND
LTG	LIGHTING	EB	EASTBOUND
TELE	TELEPHONE	CRD	COORDINATION
SAMP	SAMPLER LOOP	VID	VIDEO
IN	IN	OL	OVERLAP
OUT	OUT	RAIL	RAILROAD
LT	LEFT TURN	VOIC	VOICE
L	LEFT	PRE	PREEMPTION
R	RIGHT	SIGN	SIGN (IISNS OR NRT)
M	MIDDLE	RX	RECEIVE
		TX	TRANSMIT



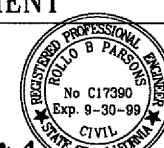
TABLE 1



NOTES :

- 1) LABELS SHALL BE PLASTIC WITH WHITE CHARACTERS ENGRAVED ON A BLACK BACKGROUND.
- 2) CHARACTER HEIGHT SHALL BE 6mm (1/4").
- 3) DIMENSION VARIANCES ARE ±0.635mm (±0.025")
- 4) LABEL THICKNESS SHALL BE 1.5mm (1/16") MINIMUM AND SIZE CONFORM TO A.
- 5) CHARACTER REQUIREMENTS SHALL CONFORM TO TABLE 1.
- 6) LABELS SHALL BE ATTACHED TO CONDUCTORS WITH APPROVED TIE-WRAP.

METRIC (& ENGLISH) UNITS

		SANTA CLARA COUNTY ROADS AND AIRPORTS DEPARTMENT			STANDARD DETAILS WIRE IDENTIFICATION LABEL	DRAWING NO. E 44 SHT NO. 1 OF 1								
NO.	REVISIONS	BY	DATE	APP'D	DESIGNED TH 04/15/97 STQ 04/15/97 DRAWN TH 04/15/97 CHECKED	DATE	DATE	DATE	DATE	DATE	DATE	PROJECT NO.	CONTRACT NO.	FILE NO.