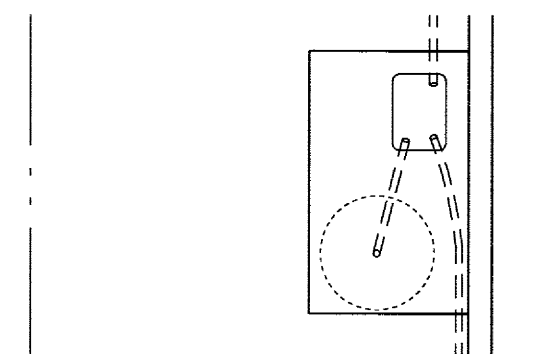
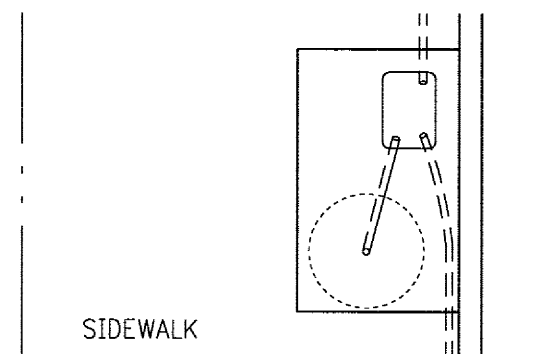
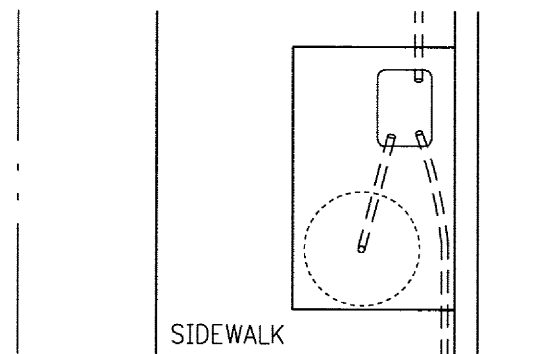
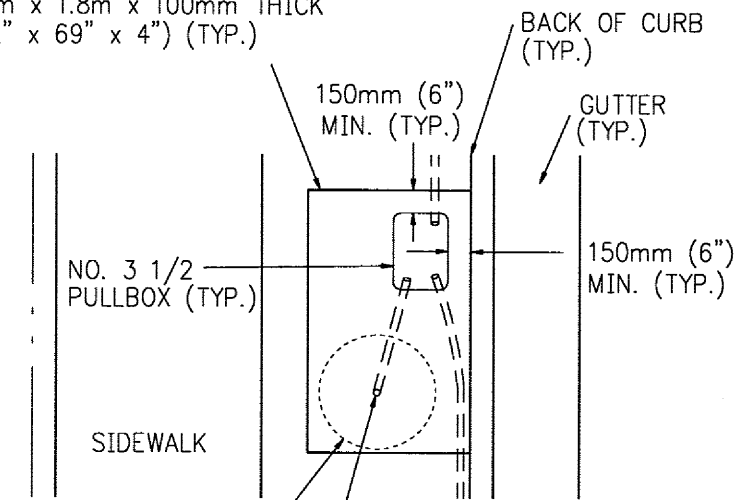
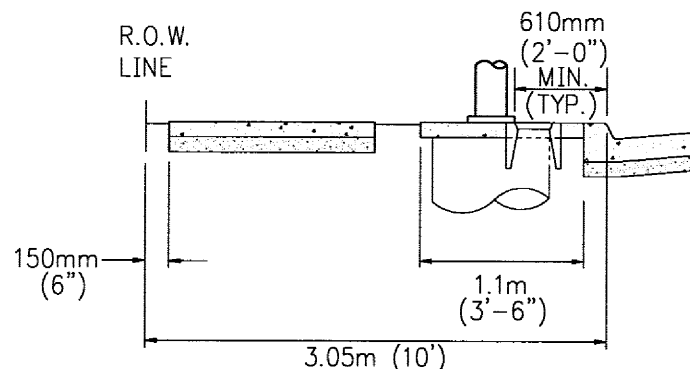


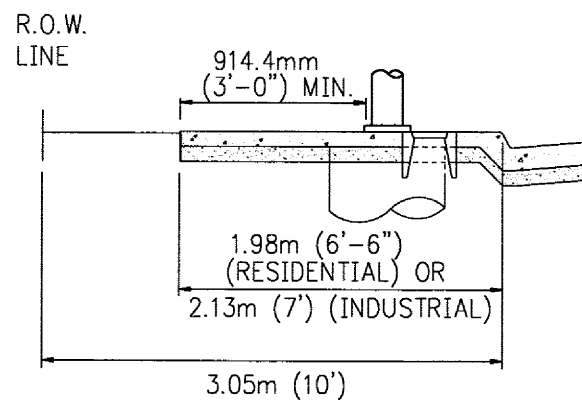
EXTENDED PCC FOUNDATION CAP
1.1m x 1.8m x 100mm THICK
(42" x 69" x 4") (TYP.)



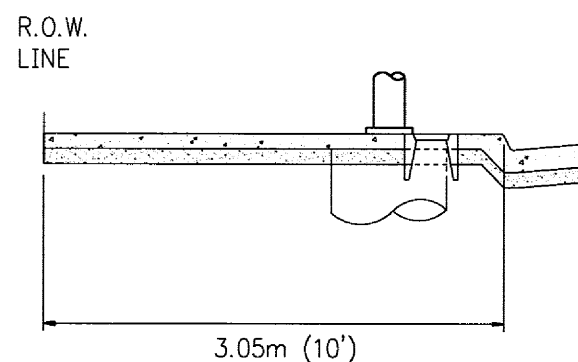
760mm (30") DIA. LIGHTING FOUNDATION (TYP.)
41mm (1 1/2") RIGID STEEL CONDUIT (TYP.)
41mm (1 1/2") SCH. 80 PVC CONDUIT (TYP.)
150mm (6") MIN. (TYP.)
BACK OF CURB (TYP.)
GUTTER (TYP.)
NO. 3 1/2 PULLBOX (TYP.)
SIDEWALK



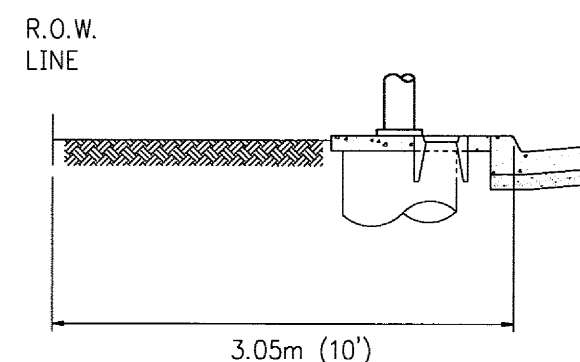
A RESIDENTIAL SECTION



B RESIDENTIAL / INDUSTRIAL SECTION



C COMMERCIAL SECTION



D UNDEVELOPED / NON-SIDEWALK SECTION

METRIC (& ENGLISH) UNITS

NO.	REVISIONS	BY	DATE	APP'D



SANTA CLARA COUNTY ROADS AND AIRPORTS DEPARTMENT

DESIGNED: TH 04/15/97
 DRAWN: STQ 04/15/97
 CHECKED: TH 04/15/97

WORK ORDER
 LEVEL BOOK
 TRANSIT BOOK

SUBMITTED: WILLIAM A. BALTER, REGISTERED PROFESSIONAL ENGINEER, No. E7336, Exp. 9-30-99
 APPROVAL: ROLLO B. PARSONS, REGISTERED PROFESSIONAL ENGINEER, No. C17390, Exp. 9-30-99

STANDARD DETAILS
ELECTROLIER AND PULLBOX LOCATION

PROJECT NO. CONTRACT NO. FILE NO.

DRAWING NO. E 46
 SHEET NO. 1 of 1