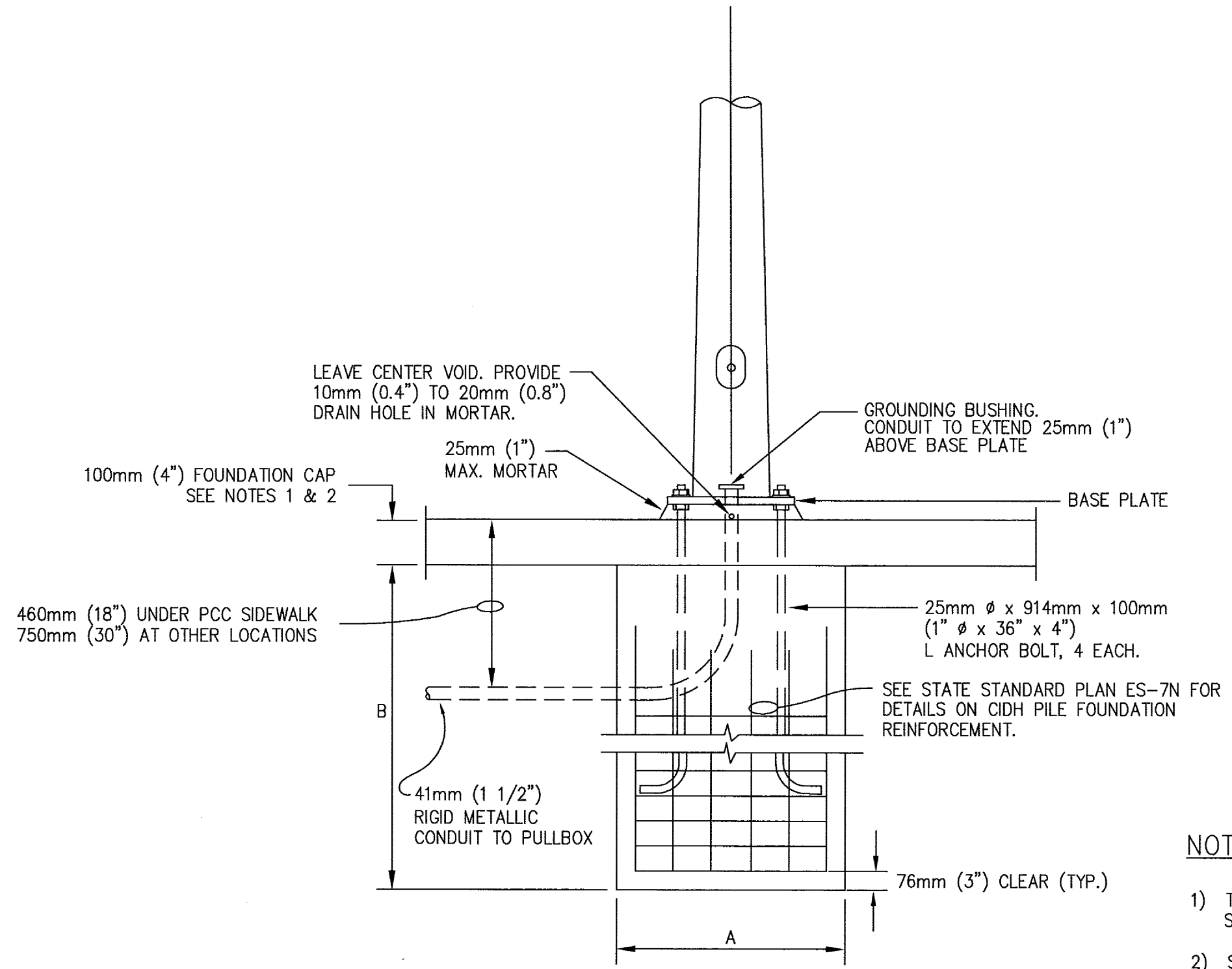


57

FOUNDATION DIMENSIONS

	A (DIA.)	B
POST-TOP	760mm (30")	1.52m (60")
FILLED BAYLAND	760mm (30")	1.83m (72")



(D) ELEVATION VIEW - FOUNDATION

NOTES :

- 1) TOP OF FOUNDATION CAP SHALL CONFORM TO FINISHED GRADE OF SIDEWALK OR TOP OF CURB IF THERE IS NO SIDEWALK.
- 2) SEE DETAIL (E/46) FOR EXTENSION OF FOUNDATION CAP.
- 3) SEE DETAIL (E/47) FOR POLE BONDING/GROUNDING.

METRIC (& ENGLISH) UNITS

					SANTA CLARA COUNTY ROADS AND AIRPORTS DEPARTMENT					STANDARD DETAILS LIGHTING STANDARD TYPE POST TOP					DRAWING NO. E 6B					
DESIGNED	TH	11/29/10	DATE		WORK ORDER		SUBMITTED	TONG HONG	SENIOR CIVIL ENGINEER	APPROVAL	DAN COLLEN	DEPUTY DIRECTOR					PROJECT NO.	CONTRACT NO.	FILE NO.	SHEET NO. 2 OF 2
DRAWN	RD	11/29/10	DATE		LEVEL BOOK		CHECKED	TH	11/29/10	DATE										
NO.	REVISIONS	BY	DATE	APP'D	TRANSIT BOOK							12-15-10								