

NOTES :

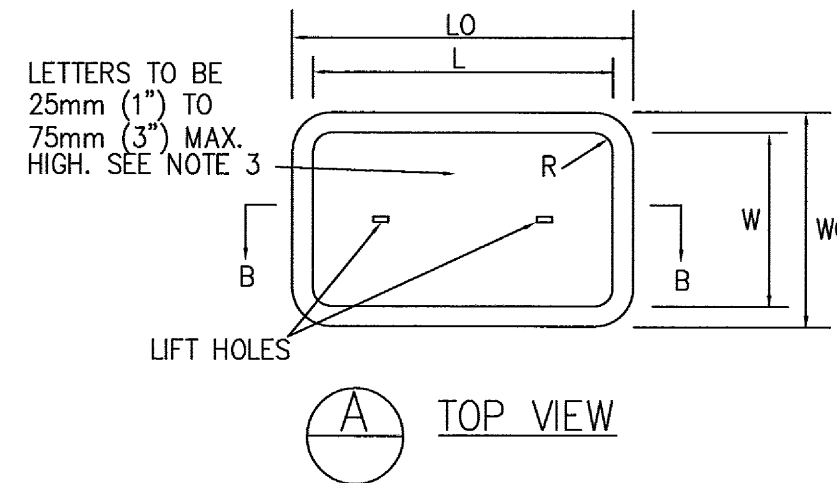
- 1) REFER TO CSS SECTION 86.02.07C "APPLICATION".
- 2) PULLBOX COVER SHALL BE A NON-LOCKING TYPE, UNLESS SPECIFIED OTHERWISE.
- 3) PULLBOX COVER MARKING SHALL BE AS FOLLOWS :

<u>IDENTIFICATION</u>	<u>APPLICATION</u>
COUNTY IRRIGATION	: FOR IRRIGATION CONTROLLER CIRCUITS OF 120 VOLTS OR MORE.
COUNTY TRAFFIC COMMUNICATION	: FOR TELEPHONE SERVICE RUN FROM UTILITY SERVICE TERMINATION. AND FIBER-OPTIC CABLING SYSTEM.
COUNTY SERVICE	: FOR SERVICE RUNS AND WHERE UTILITIES COMPANY CONDUITS TERMINATE.
COUNTY SPRINKLER CONTROL	: FOR SPRINKLER CONTROL CIRCUITS OF 50 VOLTS OR LESS.
COUNTY STREET LIGHTING	: FOR LIGHTING CIRCUITS OF 600 VOLTS OR LESS.
COUNTY TRAFFIC SIGNAL	: FOR TRAFFIC SIGNAL SYSTEM.

PULLBOX TYPE	CONCRETE BOX (SEE NOTE 1)				CONCRETE COVER (SEE NOTE 2)					
	MINIMUM THICKNESS	MINIMUM DEPTH BOX AND EXTENSION		LO	WO	L	W	R	MINIMUM THICKNESS	EDGE TAPER
No. 3 1/2	25mm (1")	NO EXTENSION		510mm (20")	360mm (14")	390mm (15 3/8")	260mm (10 1/8")	30mm (1 1/8")	45mm (1 3/4")	3mm (1/8")
No. 5	25mm (1")	560mm (22")		710mm (28")	460mm (18")	590mm (23 1/4")	350mm (13 3/4")	32mm (1 1/4")	50mm (2")	3mm (1/8")
No. 6	40mm (1 1/2")	600mm (24")		910mm (36")	580mm (23")	780mm (30 5/8")	450mm (17 5/8")	32mm (1 1/4")	50mm (2")	3mm (1/8")
PULLBOX TYPE	POLYMER CONCRETE BOX (SEE NOTE 4)				POLYMER CONCRETE COVER (SEE NOTE 5)					
	MINIMUM THICKNESS	MINIMUM DEPTH BOX EXTENSION		LO	WO	L	W	MINIMUM THICKNESS	2-PIECE WITH BOLTS	EDGE TAPER
F/O (SEE NOTE 5)	12mm (1/2")	600mm (49")	280mm (11")	1260mm (49")	810mm (32")	1200mm (47")	760mm (30")	76mm (3")	YES	YES

TABLE 1 - MINIMUM DIMENSIONS

- 4) REFER TO CSS SECTION 86.02.07A " MATERIAL" FOR MECHANICAL PROPERTY REQUIREMENTS OF POLYMER CONCRETE.
- 5) F/O PULLBOX COVER SHALL COMPLY WITH THE DESIGN AND TEST LOADS FOR POLYMER CONCRETE SPECIFIED IN CSS SECTION 86.02.07A " MATERIAL".



METRIC (& ENGLISH) UNITS

SANTA CLARA COUNTY ROADS AND AIRPORTS DEPARTMENT				SUBMITTED: TONG HONG SENIOR CIVIL ENGINEER		APPROVAL: DAN COLLEN DEPUTY DIRECTOR		STANDARD DETAILS PULLBOX AND CONDUIT TERMINATION		DRAWING NO.	E	
				DESIGNED TH 11/29/10 DATE	DRAWN RD 11/29/10 DATE	CHECKED TH 11/29/10 DATE	WORK ORDER			LEVEL BOOK	TRANSIT BOOK	PROJECT NO.
NO.	REVISIONS	BY	DATE	APP'D							1	2

12-15-10

58