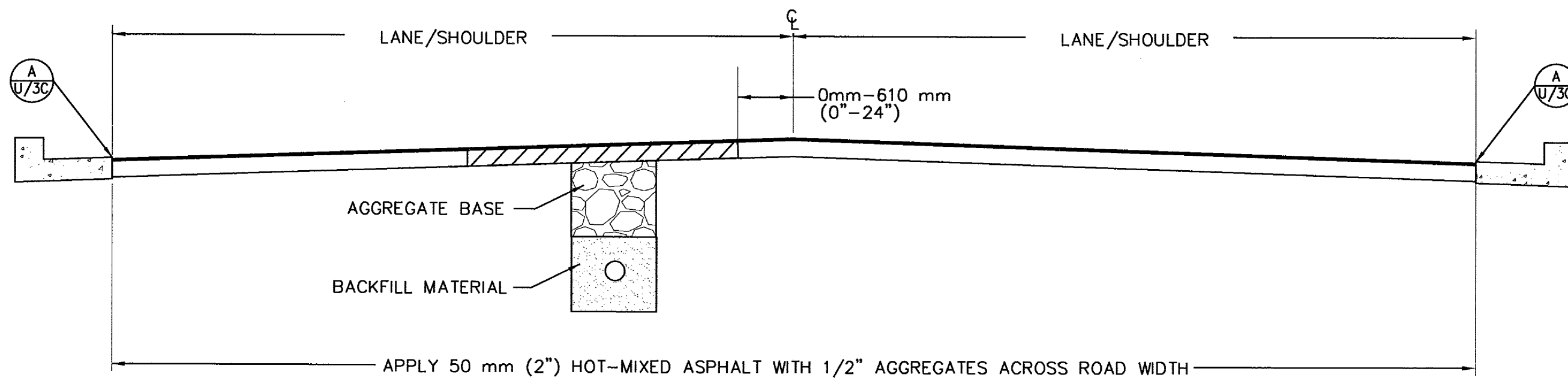


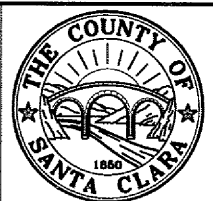
CASE 1
(EDGE OF TRENCH CONSTRUCTION > 610mm (24") FROM CENTER LINE)



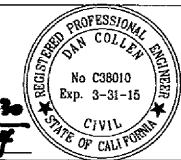
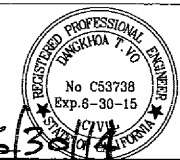
CASE 2
(EDGE OF TRENCH CONSTRUCTION ≤ 610mm (24") FROM CENTER LINE)

(REFER TO NOTES ON CSD U/3A)

METRIC (& ENGLISH) UNITS



SANTA CLARA COUNTY ROADS AND AIRPORTS DEPARTMENT			
DESIGNED	TH 11/30/10	DATE	
CHECKED	NC 12/10/13	DATE	
DRAWN	KV 5/15/14	DATE	
WORK ORDER		LEVEL BOOK	
TRANSIT BOOK			
SUBMITTED:	DANGKHOA T. VO SENIOR CIVIL ENGINEER		
APPROVAL:	DAN COLLEN DEPUTY DIRECTOR		



ALTERNATIVE STANDARD DETAILS
UTILITY TRENCH PAVEMENT RESTORATION
TWO LANE ROADWAYS

DRAWING NO. U 3B
SHT NO. 1 OF 1

NO.	REVISIONS	BY	DATE	APP'D

PROJECT NO. _____ CONTRACT NO. _____ FILE NO. _____

72-2