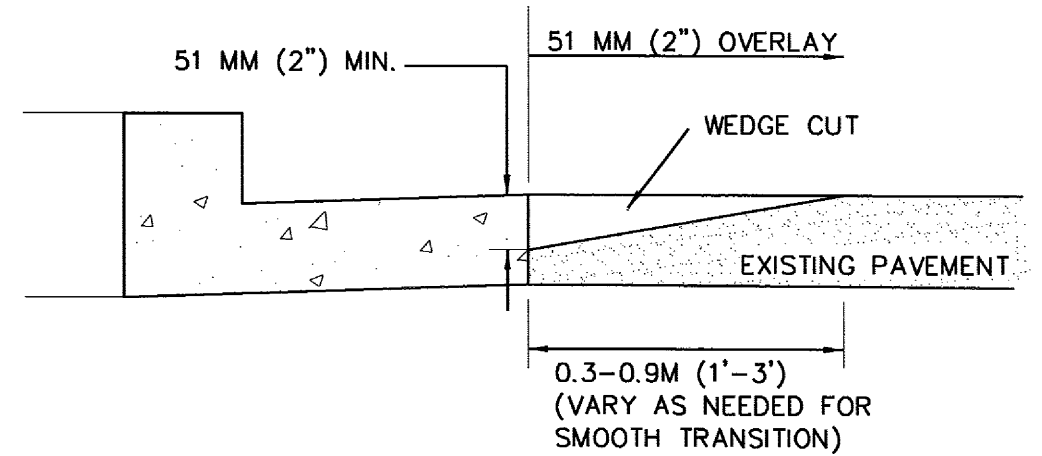
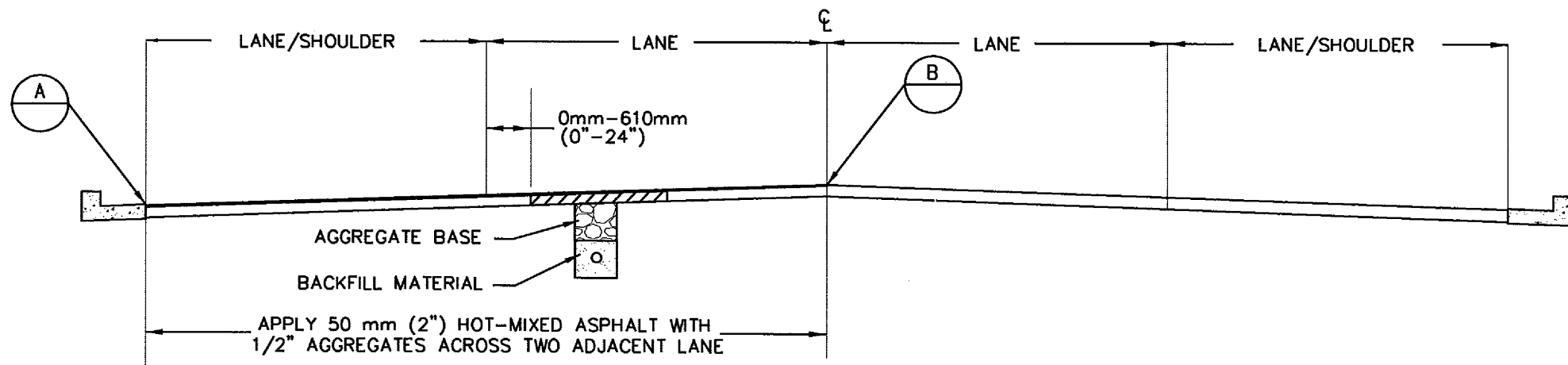


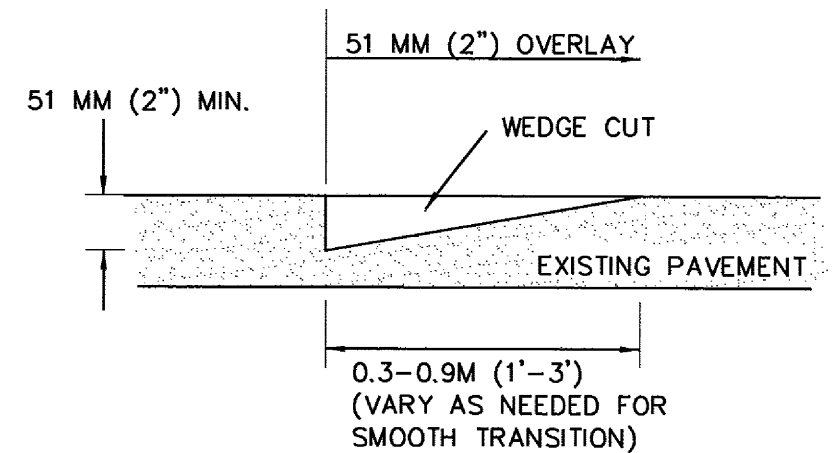
**CASE 1**  
(EDGE OF TRENCH CONSTRUCTION > 610mm (24") FROM ADJACENT LANE)



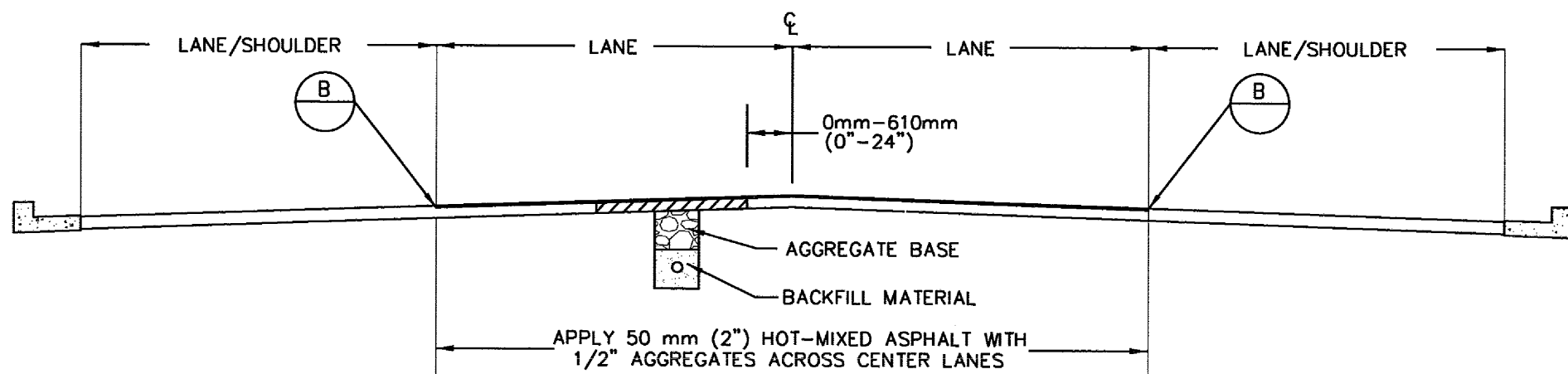
**A** NOTCHED WEDGE JOINT DETAIL



**CASE 2**  
(EDGE OF TRENCH CONSTRUCTION ≤ 610mm (24") FROM ADJACENT LANE)



**B** ALTERNATE NOTCHED WEDGE JOINT DETAIL



**CASE 3**  
(EDGE OF TRENCH CONSTRUCTION ≤ 610mm (24") FROM CENTERLINE)

(REFER TO NOTES ON CSD U/3A)

**M** METRIC (& ENGLISH) UNITS

		<b>SANTA CLARA COUNTY ROADS AND AIRPORTS DEPARTMENT</b>				<b>ALTERNATIVE STANDARD DETAILS</b> <b>UTILITY TRENCH PAVEMENT RESTORATION</b> <b>MULTI-LANE ROADWAYS</b>		DRAWING NO. <b>U</b> <b>3C</b>
TH 11/30/10 DESIGNED NC 12/10/13 DRAWN KV 5/15/14 CHECKED	DATE DATE DATE DATE	WORK ORDER LEVEL BOOK TRANSIT BOOK	SUBMITTED: DANGKHOA T. VO SENIOR CIVIL ENGINEER 	APPROVAL: DAN COLLEN DEPUTY DIRECTOR 	PROJECT NO. _____ CONTRACT NO. _____ FILE NO. _____		SHT. NO. <b>1</b> OF <b>1</b>	

72-3