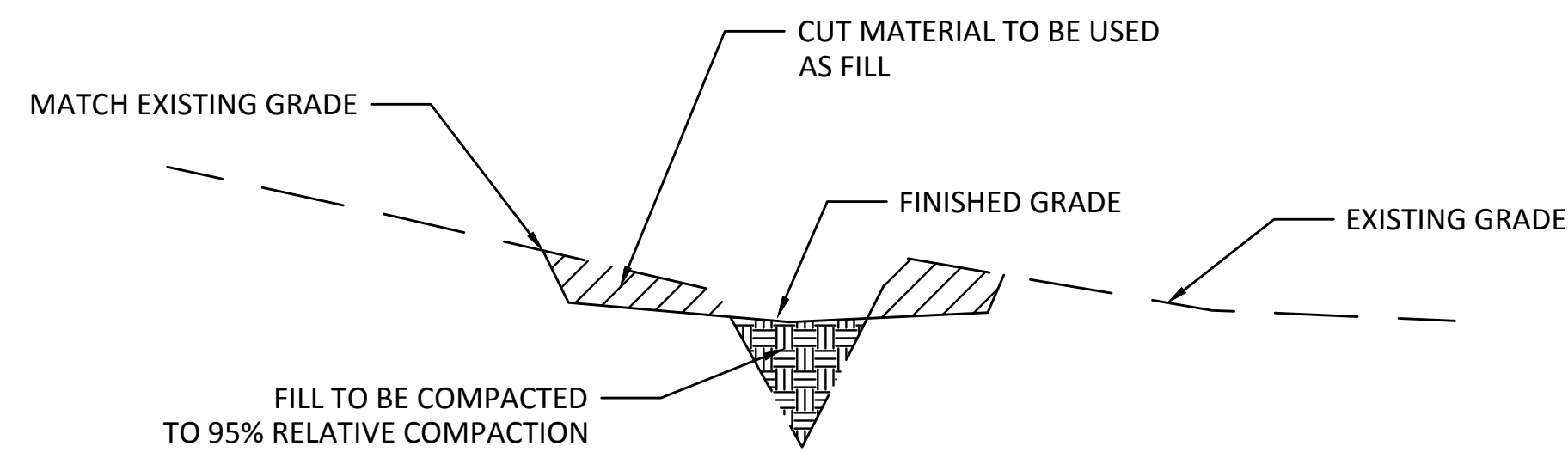
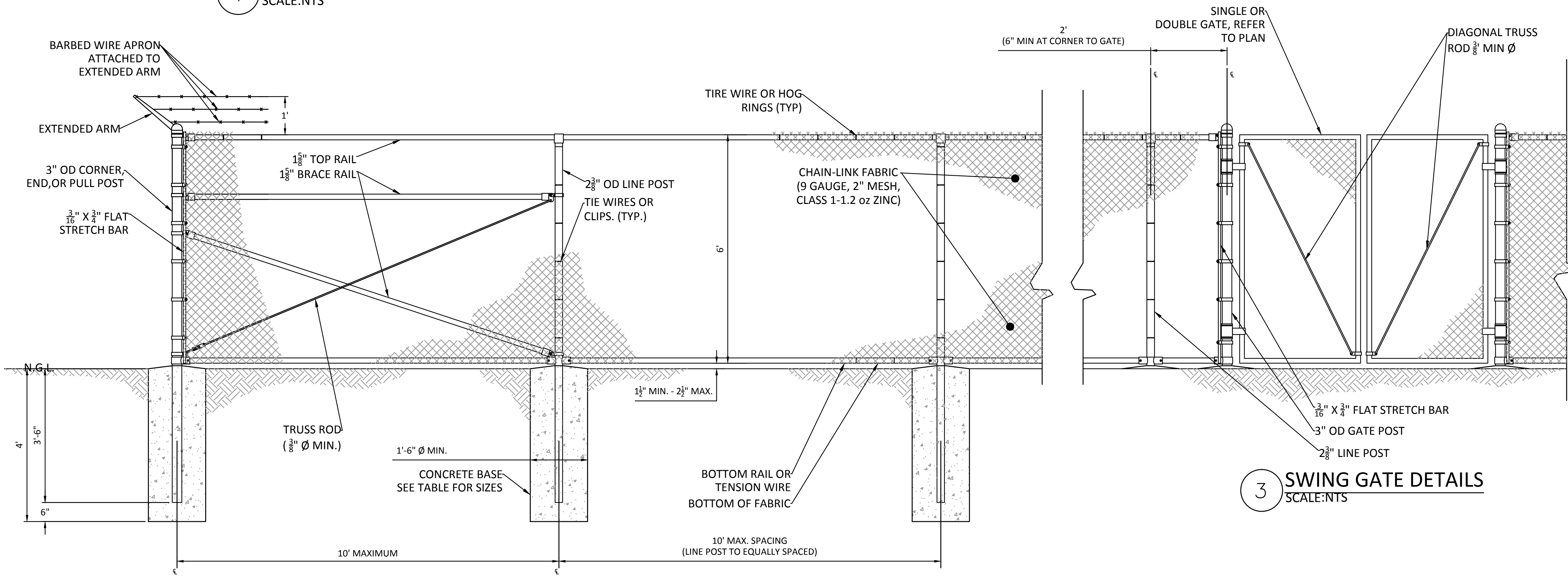


1 TYPICAL ACCESS ROAD SECTION - SITE ACCESS  
SCALE: NTS



4 DRAINAGE GRADING  
SCALE: NTS



2 CHAIN LINK FENCE DETAILS  
SCALE: NTS

3 SWING GATE DETAILS  
SCALE: NTS

POST HOLE SIZING CHART (SET-IN POST) - 6' MAX HEIGHT

MEMBER	HOLE DIA.	HOLE DEPTH	POST EMBEDMENT
CORNER POST	1'-0"	3'-0"	2'-6"
LINE POST	1'-0"	3'-0"	2'-6"
GATE POST	1'-0"	3'-0"	2'-6"

POST HOLE SIZING CHART (SET-IN POST) - 8' MAX HEIGHT

MEMBER	HOLE DIA.	HOLE DEPTH	POST EMBEDMENT
CORNER POST	1'-0"	3'-6"	3'-0"
LINE POST	1'-0"	3'-6"	3'-0"
GATE POST	1'-0"	3'-6"	3'-0"

OR

POST BASE PLATE SIZING CHART (BOLT DOWN POST) - 8' MAX HEIGHT

MEMBER	PLATE SIZE - GALV ASTM A36	HOLE SIZE (4 REQUIRED)	FASTENER REQUIRED
CORNER POST	9"x9"x3/8"	7/8"	3/4" Ø x 4" EMBED HILTI KWIK BOLT TZ (OR EQ.)
LINE POST	6"x6"x3/8"	7/8"	1/2" Ø x 3 1/4" EMBED HILTI KWIK BOLT TZ (OR EQ.)
GATE POST	9"x9"x3/8"	7/8"	3/4" Ø x 4" EMBED HILTI KWIK BOLT TZ (OR EQ.)

\*CENTER LINE OF FASTENERS TO BE LOCATED 6" MIN. FROM EDGE OF CONCRETE

OR

POST EMBEDMENT DEPTH (DRIVEN POST) - 6' MAX HEIGHT

MEMBER	DEPTH
CORNER/LINE/GATE	3'-0"

POST EMBEDMENT DEPTH (DRIVEN POST) - 8' MAX HEIGHT

MEMBER	DEPTH
CORNER/LINE/GATE	4'-0"

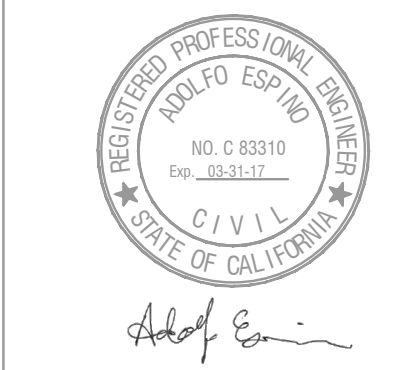
FENCE POST SIZING CHART - 6' MAXIMUM HEIGHT

MEMBER	AISC SIZE (MIN)	OUTSIDE DIA.
CORNER POST	2 1/2"	2.88"
LINE POST	2"	2.38"
GATE POST	2 1/2"	2.88"
TOP RAIL	1 1/2"	1.66"
STRETCH BAR	3/16" X 3/4" FLAT	-
TRUSS ROD	3/8" Ø	-

FENCE POST SIZING CHART - 8' MAXIMUM HEIGHT

MEMBER	AISC SIZE (MIN)	OUTSIDE DIA.
CORNER POST	3"	3.50"
LINE POST	2 1/2"	2.88"
GATE POST	3"	3.50"
TOP RAIL	1 1/2"	1.90"
STRETCH BAR	3/16" X 3/4" FLAT	-
TRUSS ROD	3/8" Ø	-

**SUNPOWER**  
1414 HARBOUR WAY SOUTH  
RICHMOND, CA 94804 USA  
(510) 540-0550



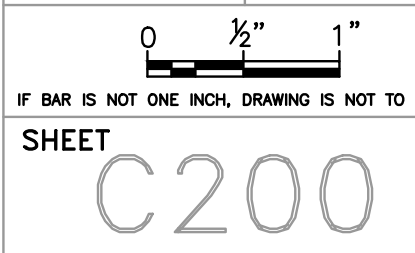
ENGINEER'S STAMP

COUNTY OF SANTA CLARA  
GUADALUPE PARKWAY  
783 AMANDA DRIVE  
SAN JOSE, CA 95136

REVISIONS

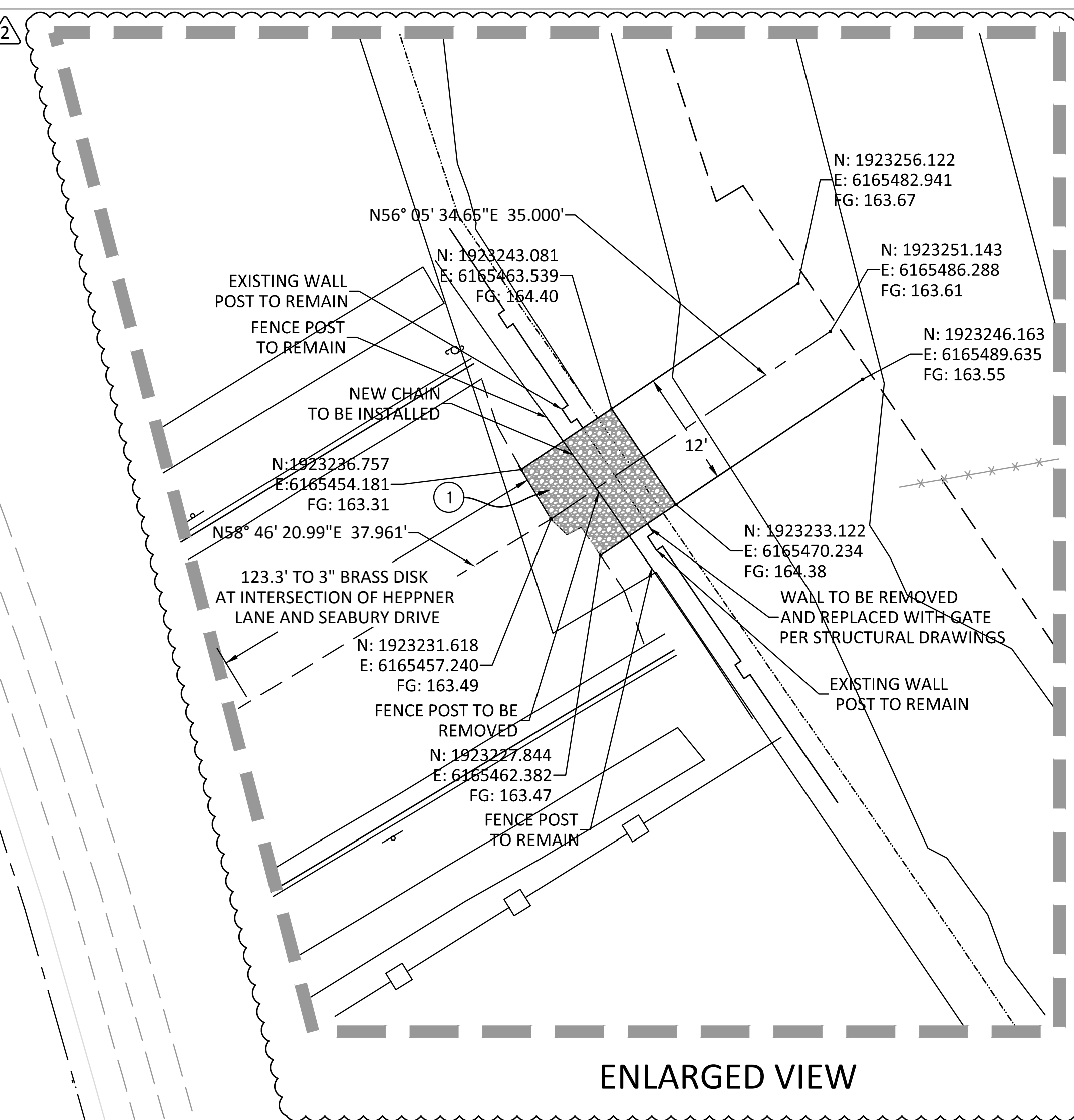
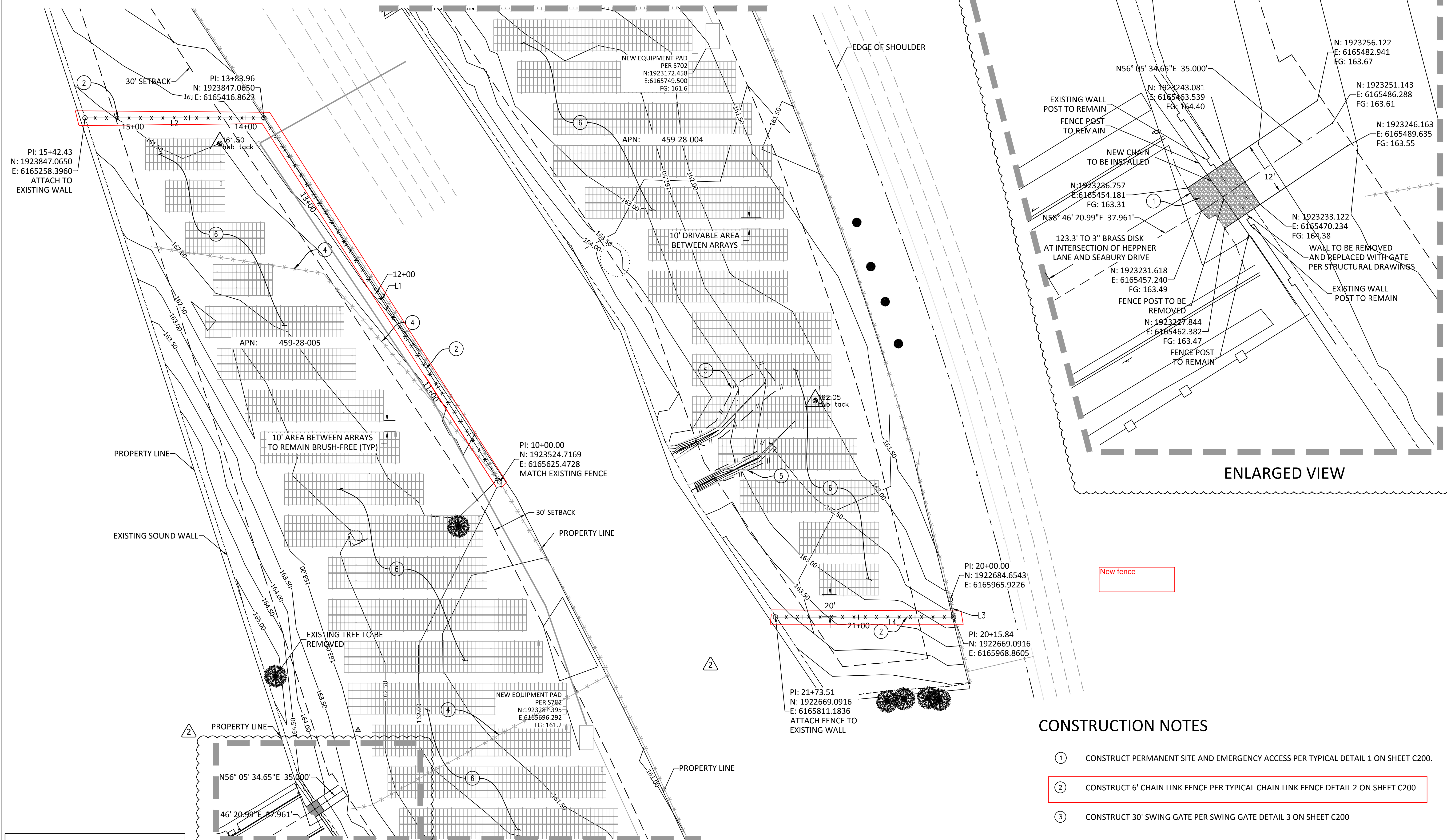
REV	DESIGN #	DESCRIPTION	DATE	DB	CB
0		ISSUED FOR CONSTRUCTION	1/19/16	AE	-
1		ISSUED FOR CONSTRUCTION	3-17-16	AE	-
2		REVISE ROAD ENTRANCE	5-13-16	AE	-

OPPORTUNITY 825713  
PROJECT 11278  
DATE DRAWN 11-13-15  
DRAWN BY AE



SHEET C200

MATCH LINE-SEE BELOW LEFT



**PROPOSED FENCE LINE/CURVE TABLE**

NUMBER	LENGTH	LINE/CHORD DIRECTION
L1	383.96	N32° 54' 33.46"W
L2	158.47	N90° 00' 00.00"W

SEE ENLARGED VIEW ABOVE RIGHT

MATCHLINE - SEE ABOVE RIGHT

PLAN VIEW  
SCALE 1" = 40'

**CONSTRUCTION NOTES**

- ① CONSTRUCT PERMANENT SITE AND EMERGENCY ACCESS PER TYPICAL DETAIL 1 ON SHEET C200.
- ② CONSTRUCT 6' CHAIN LINK FENCE PER TYPICAL CHAIN LINK FENCE DETAIL 2 ON SHEET C200
- ③ CONSTRUCT 30' SWING GATE PER SWING GATE DETAIL 3 ON SHEET C200
- ④ EXISTING CHAIN LINK FENCE TO BE REMOVED
- ⑤ GRADE EXISTING DRAINAGE FEATURE PER DETAIL 4 ON SHEET C200
- ⑥ AREA UNDER ARRAYS TO BE CLEARED AND GRUBBED. 10' MINIMUM AREA TO REMAIN BRUSH-FREE PER INTERNATIONAL FIRE CODE 605.11.4.

**SUNPOWER**  
1414 HARBOUR WAY SOUTH  
RICHMOND, CA 94804 USA  
(510) 540-0550

REGISTERED PROFESSIONAL ENGINEER  
NO. C 83310  
EX. 28317  
CIVIL  
STATE OF CALIFORNIA  
*Adolf Escribano*  
ENGINEER'S STAMP

COUNTY OF SANTA CLARA  
GUADALUPE PARKWAY  
783 AMANDA DRIVE  
SAN JOSE, CA 95136

SITE GRADING AND  
DEMOLITION PLAN

REV	DESIGN #	DESCRIPTION	DATE	DB	CB
0	1	ISSUED FOR CONSTRUCTION	1/19/16	AE	-
1	2	ISSUED FOR CONSTRUCTION	3-17-16	AE	-
2	2	REVISE ROAD ENTRANCE	5-13-16	AE	-

OPPORTUNITY: 825713  
PROJECT: 11278  
DATE DRAWN: 11-13-15  
DRAWN BY: AE

0 1/2" 1"  
IF BAR IS NOT ONE INCH, DRAWING IS NOT TO SCALE

SHEET  
**C300**