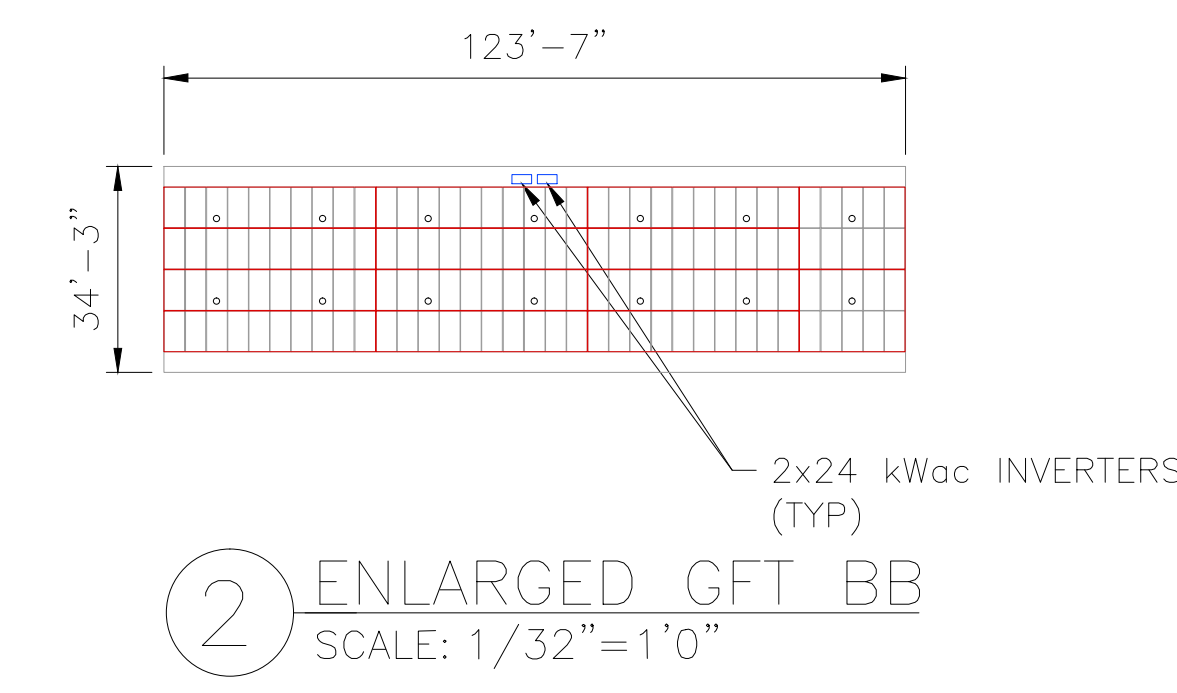


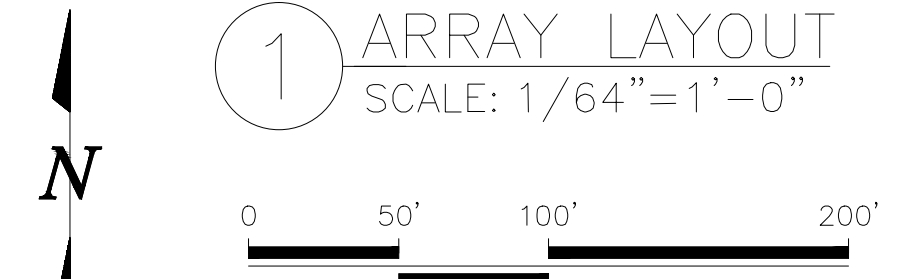
VICINITY MAP:
 LATITUDE: 37.286798°
 LONGITUDE: -121.814360°

TABLE 1:
 Longitude: -121.815430, Latitude: 37.287933
 Total # of Results: 1
 Result #1: EVERGREEN 2103
 From layer: Smaller Conductors (WireSize <= 350 MCM)

Feeder Name	EVERGREEN 2103
Feeder Number	82012103
Nominal Circuit Voltage (kv)	21
Circuit Capacity (MW)	17.36
Circuit Projected Peak Load (MW)	14.74
Substation Bank	2
Substation Bank Capacity (MW)	44.6
Substation Bank Peak Load (MW)	41
Existing Distributed Generation (MW)	0.7772
Queued Distributed Generation (MW)	0
Total Distributed Generation (MW)	0.7772



- NOTES:
- THIS DESIGN ASSUMES THAT THE SITE WILL BE GRADED AND OTHERWISE PREPARED AS REQUIRED TO MEET ALL TOLERANCES OF THE PROPOSED TRACKER ARRAY (SLOPE <9%). REQUIRED GRADING IS NOT SHOWN ON THIS PLAN
 - 85 MPH WIND ZONE, EXPOSURE C, 0 PSF SNOW LOAD, 178 FT SITE ELEVATION
 - ASSUMED CORROSION CATEGORY 3
 - TOP-MAP PROVIDED WITH 1' INTERVAL ; ARRAY SHOWN ON AERIAL IMAGE
 - ALL TREES WITHIN ARRAY BOUNDARY, AND THOSE WHICH WILL SHADE THE ARRAY, NEED TO BE REMOVED PRIOR TO INSTALLATION



① ARRAY LAYOUT
 SCALE: 1/64" = 1'-0"

BBs SUMMARY:
 -[45] GFT-DG 7.5 BBs STANDARD

PROPOSED SYSTEM SPECIFICATIONS:
 2,740.50 kWp ≈ 2.16 MWac
 (6,300) HIGH EFF. (435W) MODULES
 10 MODULES/STRING, 630 STRING
 630 PIERS, 90-24kWac INVERTERS
 GCR=0.8, 7.5° TILT, 15 PANELBOARDS
 AZIMUTH ANGLE: 0°

NOTE: THE PROPOSED ARRAY LAYOUT SHOWN IS DESIGNED TO FIT EXISTING CONDITIONS AS THEY ARE DESCRIBED ON THIS DRAWING. kWp AND MODULE QUANTITY, TYPE AND LAYOUT ARE SUBJECT TO CHANGE BASED ON SUNPOWER VERIFICATION OF ACTUAL SITE CONDITIONS, AS WELL AS ON MODULE AVAILABILITY AT THE DATE OF ORDER.

SUNPOWER
 1414 HARBOUR WAY SOUTH
 RICHMOND, CA 94804 USA
 (510) 540-0550

ENGINEER'S STAMP

SANTA CLARA COUNTY
 HELLYER COUNTY PARK
 COYOTE CREEK TRAIL
 SAN JOSE CA 95111

GROUND FIXED TILT
 ARRAY LAYOUT

REV	DESIGN #	DATE	DB	CB	DESCRIPTION
A	D-00756236	05-13-14	RA	JAC	PROPOSAL
B	D-00767658	09-05-14	ZZ	NY	PARCEL AND FEEDER NUMBERS
C	D-00771330	12-01-14	PPD	ZZ	OVERLAY TOPO PDF FILE
D	D-00771301	12-03-14	JPA	AY	ADDITIONAL SITE INFORMATION
E	D-00771389	12-10-14	JZ	AY	MODULES-PORTRAIT, 7 STINGS/INVERTER

OPPORTUNITY: 825713
 PROJECT:
 DATE DRAWN: 05-13-14
 DRAWN BY: RA

0 1/2 1"
 IF BAR IS NOT ONE INCH, DRAWING IS NOT TO SCALE

SHEET 1